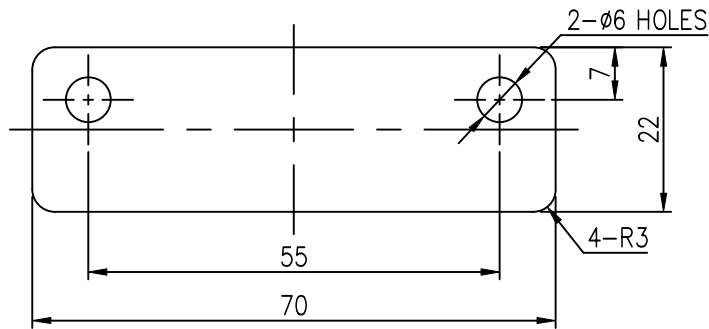


A	
적용 도면 (Applied DRAW. No.)	
도면 번호 (DRAW. No.)	비 고 (Remarks)
1	
2	

B		C	
MARK	DATE	DETAIL OF REVISION	CHECK APP.
△			
△			



GENERAL TOLERANCE

DIVISION	GRADE	A LEVEL	B LEVEL	C LEVEL
1-4		±0.05	±0.10	±0.25
4-6		±0.07	±0.20	±0.35
16-63		±0.10	±0.30	±0.50
63-250		±0.18	±0.55	±0.90
250-500		±0.30	±0.90	±1.50
500-1000		±0.50	±1.50	±2.50

부 품 번		번호	명 칭		갯수	재 질	비 고
Part No.		No.	Part Name		Qt'y		Remarks
DRAWN	CHECKED	CHECKED	APPROVED	SCALE : 1/1	MODEL :		
				UNIT : MM	TITLE :		
 광일엔지니어링 KWANGIL ENGINEERING				SIZE : A4	THIRD ANGLE PROJECTION	MODEL No.	
				DATE :		DWG No.	