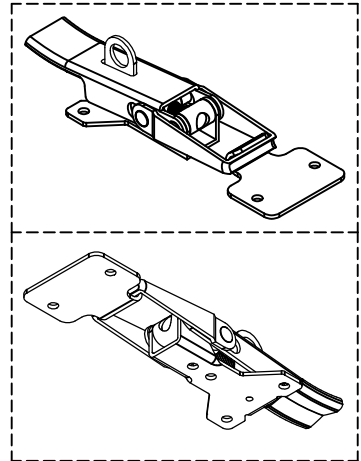


작성 도면 (Applied DRAW. No.)	
도면 번호 (DRAW. No.)	비고 (Remarks)
1	
2	

MARK	DATE	DETAIL OF REVISION	CHECK	APP.
△				
△				



ISOMETRIC VIEW

GENERAL TOLERANCE				부품번	번호	명칭	갯수	재질	비고
DIVISION	GRADE	A LEVEL	B LEVEL	C LEVEL	Part No.	Part Name	Qt'y	Material	Remarks
1-4		±0.05	±0.10	±0.20					
4-16		±0.07	±0.20	±0.35					
16-63		±0.10	±0.30	±0.50					
63-250		±0.18	±0.55	±0.90					
250-500		±0.30	±0.90	±1.50					
500-1000		±0.50	±1.50	±2.50					

DRAWN	CHECKED	CHECKED	APPROVED	SCALE: 1/1	MODEL:
				UNIT: MM	TITLE:
<b>광일엔지니어링</b> <b>KWANGIL ENGINEERING</b>				SIZE: A2	MODEL No.:
DATE :				DWG No.:	