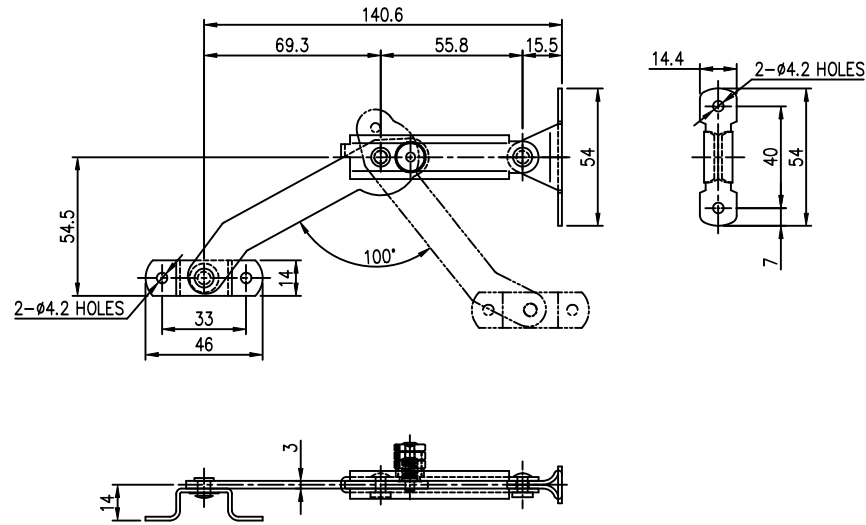


작성 일자 (Date/Draw No.)	
1	2
3	4

MARK	DATE	DETAIL OF REVISION	CHECK	APP.
▲				



GENERAL TOLERANCE

SIZE	A LEVEL	B LEVEL	C LEVEL
1-4	±0.07	±0.10	±0.12
4-8	±0.07	±0.20	±0.25
8-25	±0.10	±0.30	±0.50
25-50	±0.15	±0.50	±0.80
50-100	±0.20	±0.80	±1.20
100-1000	±0.50	±1.50	±2.50

Part No.	No.	Part Name	Scale	Model
			1/1	
DATE	DATE	DATE	DATE	DATE

