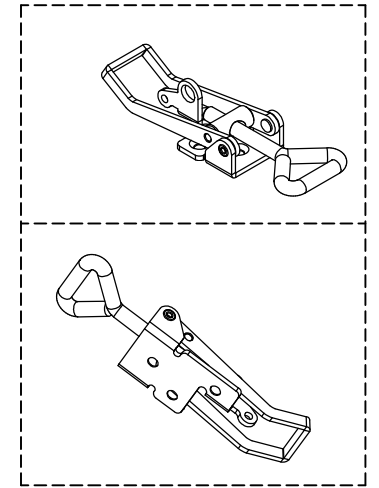
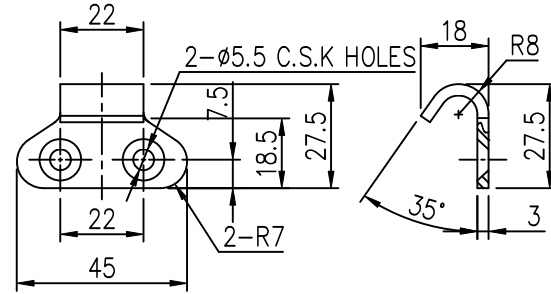
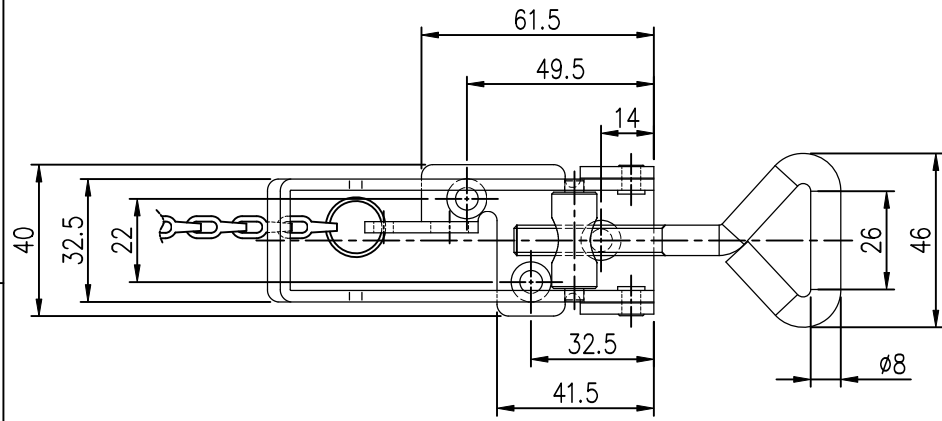
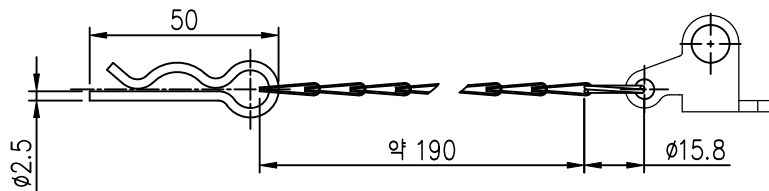
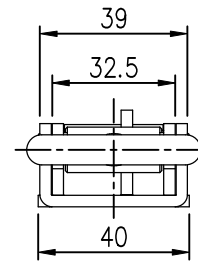
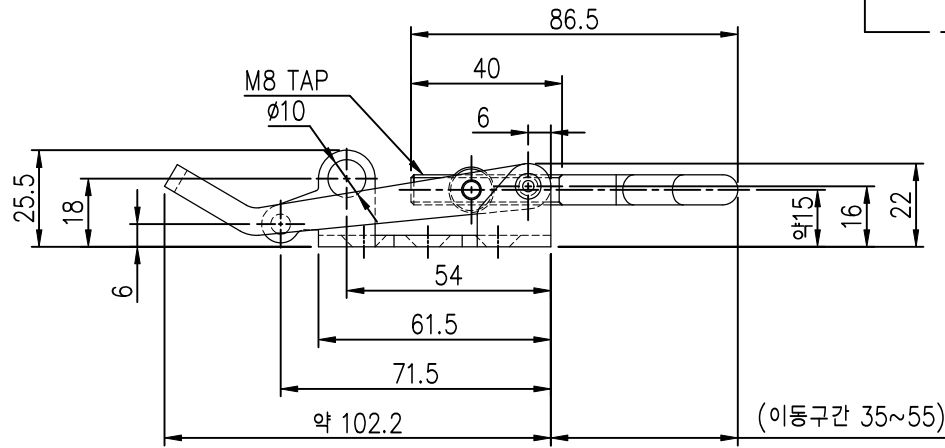


KM-NR23-1S



ISOMETRIC VIEW



GENERAL TOLERANCE

DIVISION	GRADE	A LEVEL	B LEVEL	C LEVEL
1-4		±0.05	±0.10	±0.25
4-16		±0.07	±0.20	±0.75
16-63		±0.10	±0.30	±0.50
63-250		±0.18	±0.55	±0.80
250-500		±0.30	±0.90	±1.50
500-1000		±0.50	±1.50	±2.50

부품 번호 (Part No.)				명칭 (Part Name)		갯수 (Qt'y)	재질 (Material)	비고 (Remarks)
DRAWN	CHECKED	CHECKED	APPROVED	SCALE: 1/1	MODEL:			
				UNIT:	TITLE:			
				SIZE: A2	DATE:	MODEL No.:		
				DWG No.:				

