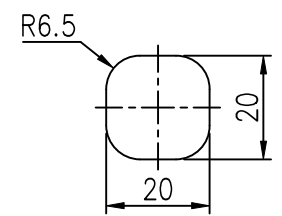
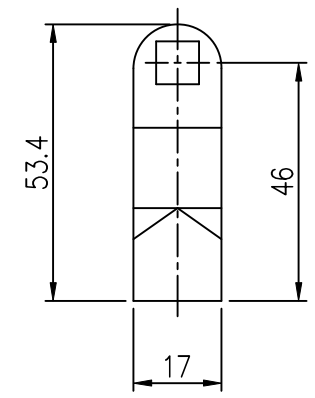
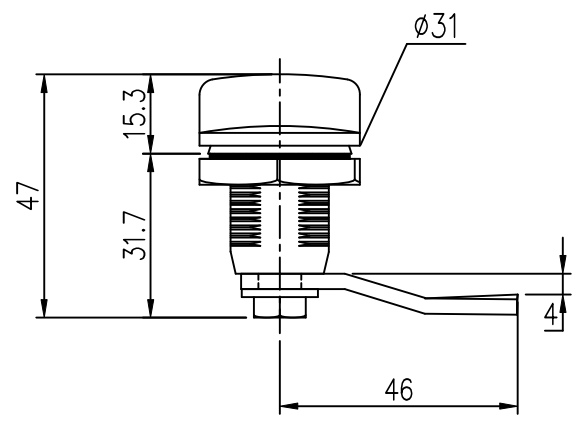


적용 도면 (Applied DRAW. No.)		MARK		DATE	DETAIL OF REVISION		CHECK	APP.
도면 번호 (DRAW. No.)	비고 (Remarks)	△						
1		△						
2								

KCL8-04



부착타공치수

DIVISION	GRADE	GENERAL TOLERANCE		
		A LEVEL	B LEVEL	C LEVEL
1-4	<del>±0.05</del>	±0.10	±0.25	±0.25
4-6	<del>±0.07</del>	±0.20	±0.35	±0.35
16-63	<del>±0.10</del>	±0.30	±0.50	±0.50
63-250	<del>±0.18</del>	±0.55	±0.90	±0.90
250-500	<del>±0.30</del>	±0.90	±1.50	±1.50
500-1000	<del>±0.50</del>	±1.50	±2.50	±2.50

부품번 Part No.		번호 No.	명칭 Part Name		갯수 Qt'y	재질	비고 Remarks
DRAWN	CHECKED	CHECKED	APPROVED	SCALE : 1/1	MODEL :		
				UNIT : MM	TITLE :		
				SIZE : A3	MODEL No.		
				DATE :	DWG No.		

