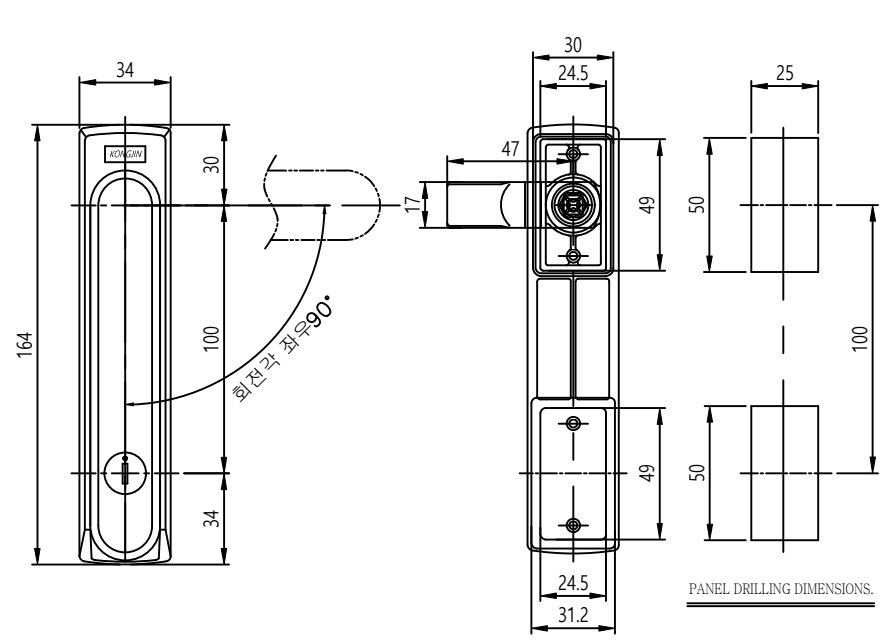


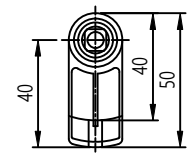
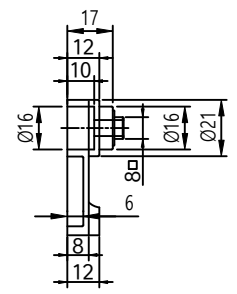
| 작성 도면 (Applied DRAW. No.) | |
|---------------------------|--------------|
| 도면 번호 (DRAW. No.) | 비고 (Remarks) |
| | |

| MARK | DATE | DETAIL OF REVISION | CHECK | APP. |
|------|------|--------------------|-------|------|
| | | | | |

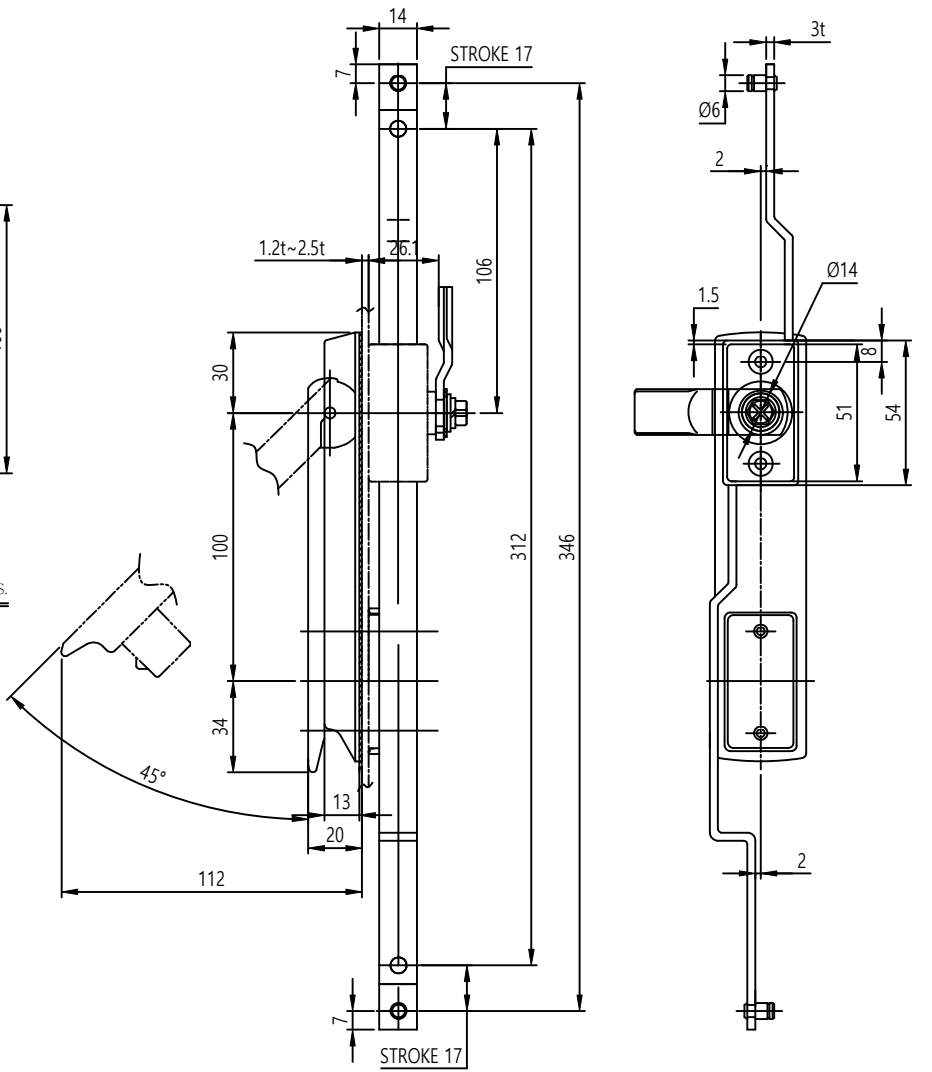
KBH-KA606-1KC



PANEL DRILLING DIMENSIONS.



3 POINT LOCK HANDLE



GENERAL TOLERANCE

| GRADE | A LEVEL | B LEVEL | C LEVEL |
|----------|---------|---------|---------|
| 1-4 | ±0.07 | ±0.10 | ±0.20 |
| 4-6 | ±0.07 | ±0.20 | ±0.25 |
| 16-63 | ±0.10 | ±0.30 | ±0.50 |
| 63-250 | ±0.15 | ±0.35 | ±0.50 |
| 250-500 | ±0.30 | ±0.90 | ±1.50 |
| 500-1000 | ±0.50 | ±1.50 | ±2.50 |

| 부품번 Part No. | 번호 No. | 명칭 Part Name | 갯수 Q't'y | 재질 MATERIAL | 비고 Remarks |
|-----------------|-----------|-----------------|-------------|----------------|---------------|
| | | | | | |
| | | | | | |

DRAWN: [] CHECKED: [] APPROVED: [] SCALE: 1/1
 UNIT: [] TITLE: []
 MODEL No.: []
 DATE: []
광일엔지니어링
KWANGIL ENGINEERING