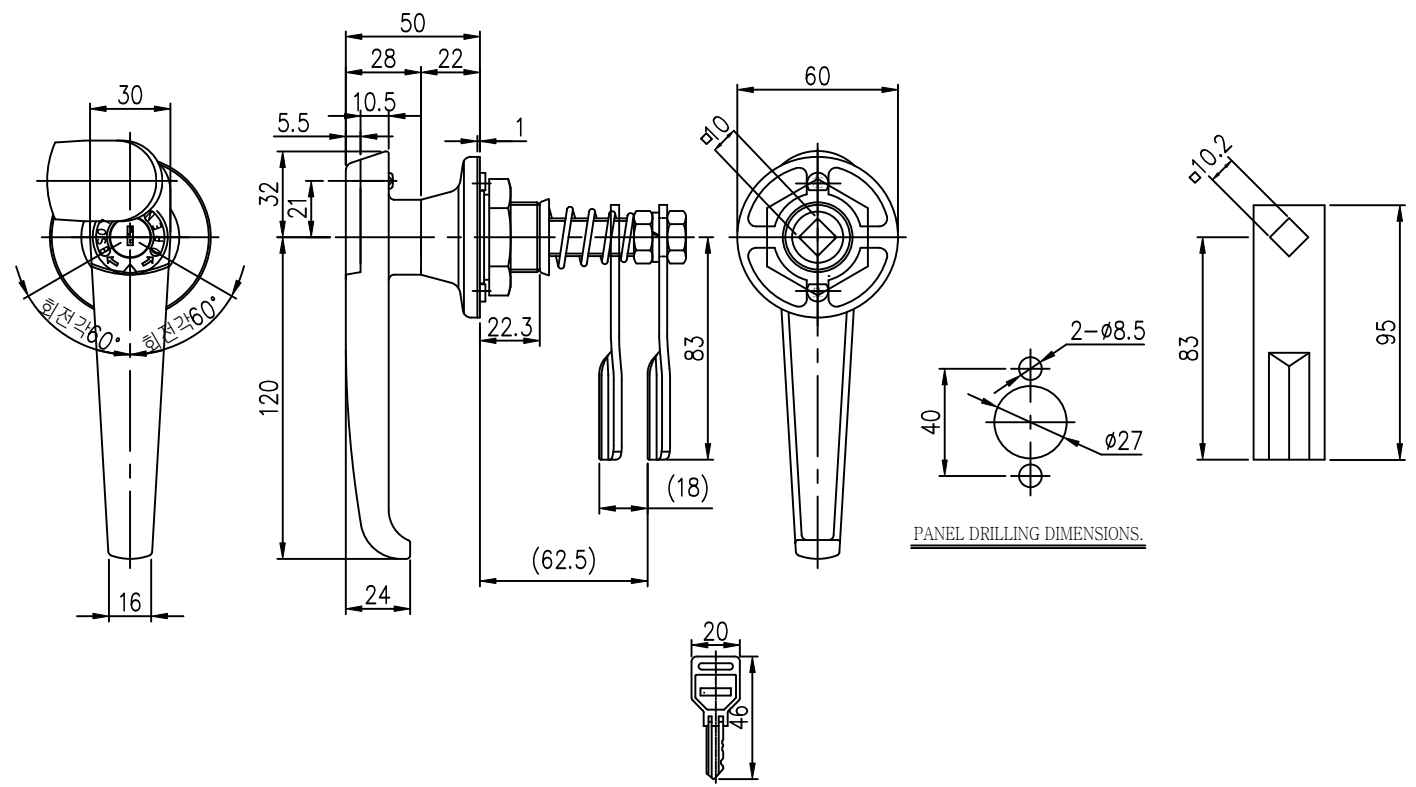


작성 도면 (Applied DRAW. No.)	
도면 번호 (DRAW. No.)	비고 (Remarks)

MARK	DATE	DETAIL OF REVISION	CHECK	APP.

KBH-KA1110-1K



PANEL DRILLING DIMENSIONS.

GENERAL TOLERANCE				부품번	번호	명칭	갯수	재질	비고
GRADE	A LEVEL	B LEVEL	C LEVEL	Part No.	No.	Part Name	Q'ty		Remarks
1-4	±0.07	±0.10	±0.27						
4-6	±0.07	±0.20	±0.75						
16-63	±0.10	±0.30	±1.50						
63-250	±0.18	±0.55	±3.00						
250-500	±0.30	±0.90	±1.50						
500-1000	±0.50	±1.50	±2.50						

 광일엔지니어링 KWANGL ENGINEERING	UNIT: MM SCALE: 1/1 MODEL:	DATE:	DRAW. No.:
--	----------------------------------	-------	------------