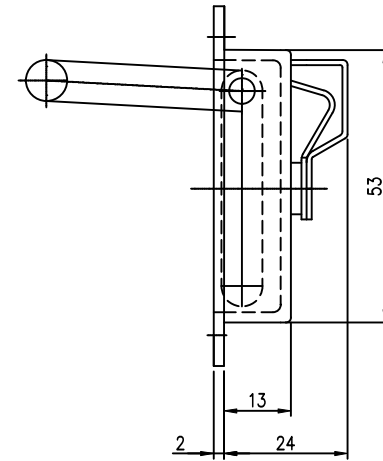
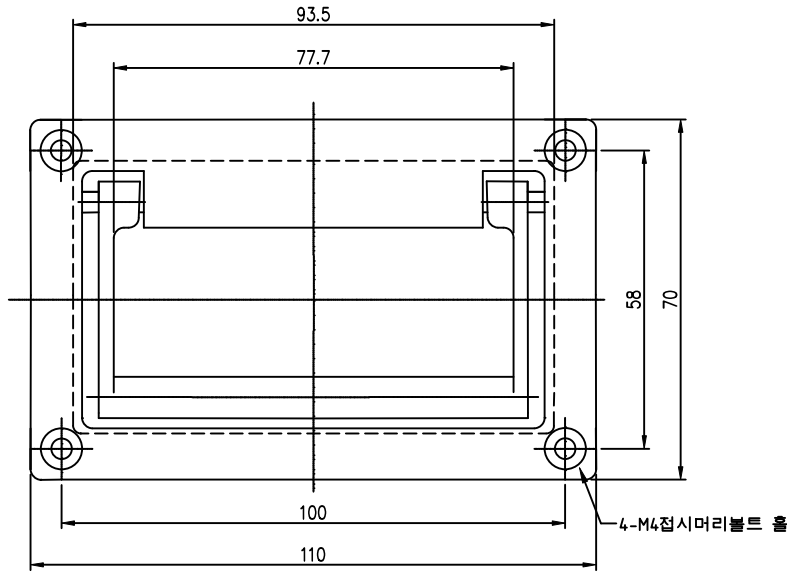


적용 도면 (Applied DRAW. No.)		MARK		DATE	DETAIL OF REVISION	CHECK	APP.
도면 번호 (DRAW. No.)	비고 (Remarks)	△					
1		△					
2							



GENERAL TOLERANCE

DIVISION	GRADE	A LEVEL	B LEVEL	C LEVEL
1-4	±0.05	±0.10	±0.25	±0.75
4-6	±0.07	±0.20	±0.50	±0.90
16-63	±0.10	±0.30	±0.90	±1.50
63-250	±0.18	±0.55	±1.50	±2.50
250-500	±0.30	±0.90	±1.50	±2.50
500-1000	±0.50	±1.50	±2.50	±2.50

부품번호 Part No.	번호 No.	명칭 Part Name	갯수 Qt'y	재질	비고 Remarks
DRAWN	CHECKED	CHECKED	APPROVED	SCALE : 1/1	MODEL :
				UNIT : MM	TITLE :
광일엔지니어링 KWANGIL ENGINEERING				SIZE : A3	MODEL No.
				DATE :	DWG No.

2
3

2
3

A B C D