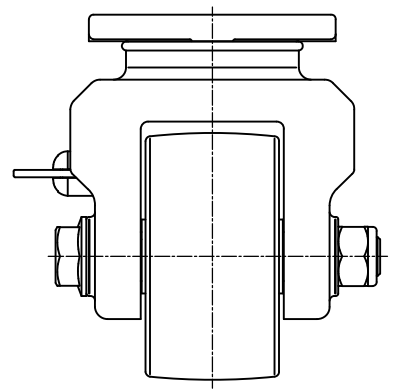
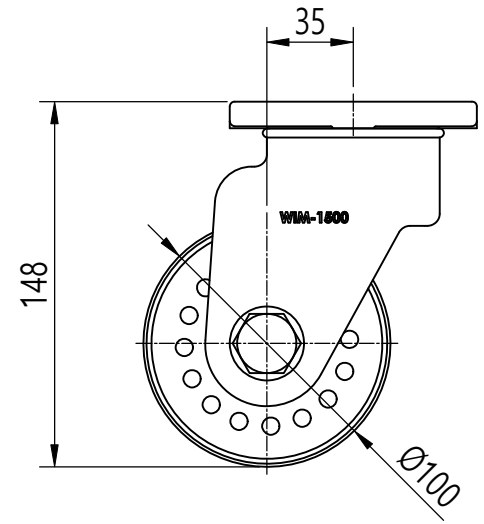
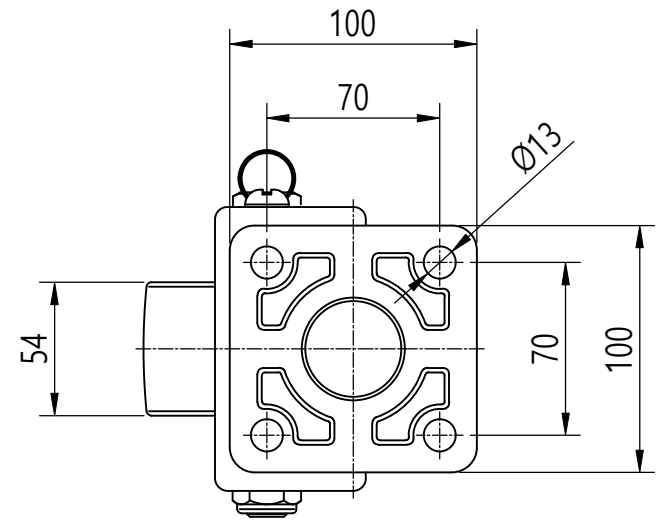


| | |
|----------------------|-------------|
| 작성 일자 (Applied Date) | 작성 (Drawn) |
| 작성 번호 (Drawing No.) | 검 (Checked) |
| | |

| MARK | DATE | DETAIL OF REVISION | CHECK | APP. |
|------|------|--------------------|-------|------|
| △ | | | | |



GENERAL TOLERANCE

| 수량 | A LEVEL | B LEVEL | C LEVEL |
|----------|---------|---------|---------|
| 1~4 | ±0.07 | ±0.10 | ±0.20 |
| 4~6 | ±0.07 | ±0.20 | ±0.25 |
| 16~63 | ±0.10 | ±0.30 | ±0.50 |
| 63~250 | ±0.15 | ±0.55 | ±0.80 |
| 250~500 | ±0.30 | ±0.90 | ±1.50 |
| 500~1000 | ±0.50 | ±1.50 | ±2.50 |

| | | | | | |
|----------|---------|-----------|----------|-------|---------|
| 부품번호 | 번호 | 명칭 | 수량 | 재질 | 비고 |
| Part No. | No. | Part Name | Q'ty | | Remarks |
| DRAWN | CHECKED | CHECKED | APPROVED | SCALE | MARK |
| | | | | 1/ | |
| DATE | | | TITLE | | |
| DRAWN | | | CHECKED | | |
| DATE | | | TITLE | | |
| DRAWN | | | CHECKED | | |
| DATE | | | TITLE | | |

