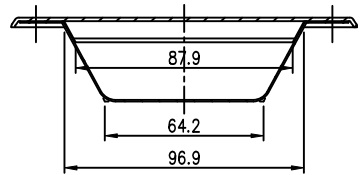
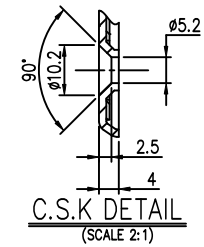
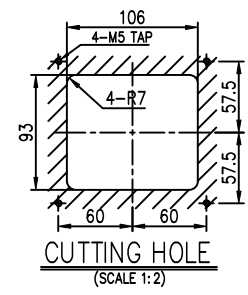
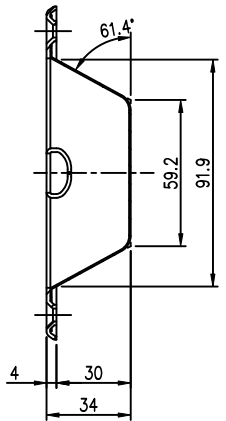
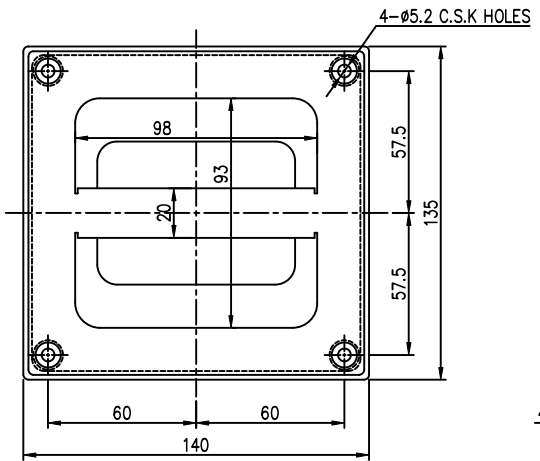


| | |
|---------------------|-------------|
| 작성 일자 (App'ed Date) | 작성 (App'ed) |
| 작성 번호 (App'ed No.) | 작성 (App'ed) |

| MARK | DATE | DETAIL OF REVISION | CHECK | APP. |
|------|------|--------------------|-------|------|
| | | | | |



| NO. | LEVEL | DATE | LEVEL |
|----------|-------|-------|-------|
| 1-4 | ±0.05 | ±0.10 | ±0.20 |
| 4-6 | ±0.07 | ±0.20 | ±0.25 |
| 16-63 | ±0.10 | ±0.30 | ±0.50 |
| 63-250 | ±0.15 | ±0.55 | ±1.00 |
| 250-500 | ±0.30 | ±0.90 | ±1.50 |
| 500-1000 | ±0.50 | ±1.50 | ±2.50 |

| | | | | | |
|---|---------|-----------|----------|----------|----------|
| 부품번호 | 번호 | 명칭 | 수량 | 재질 | 비고 |
| Part No. | No. | Part Name | Q't'y | Material | Remarks |
| DRAWN | CHECKED | CHECKED | APPROVED | SCALE | MARK |
| | | | | DATE | TITLE |
| | | | | MM | BOOK No. |
| | | | | A1 | DATE |
| 광원엔지니어링 KWANGL ENGINEERING | | | | | DRG No. |