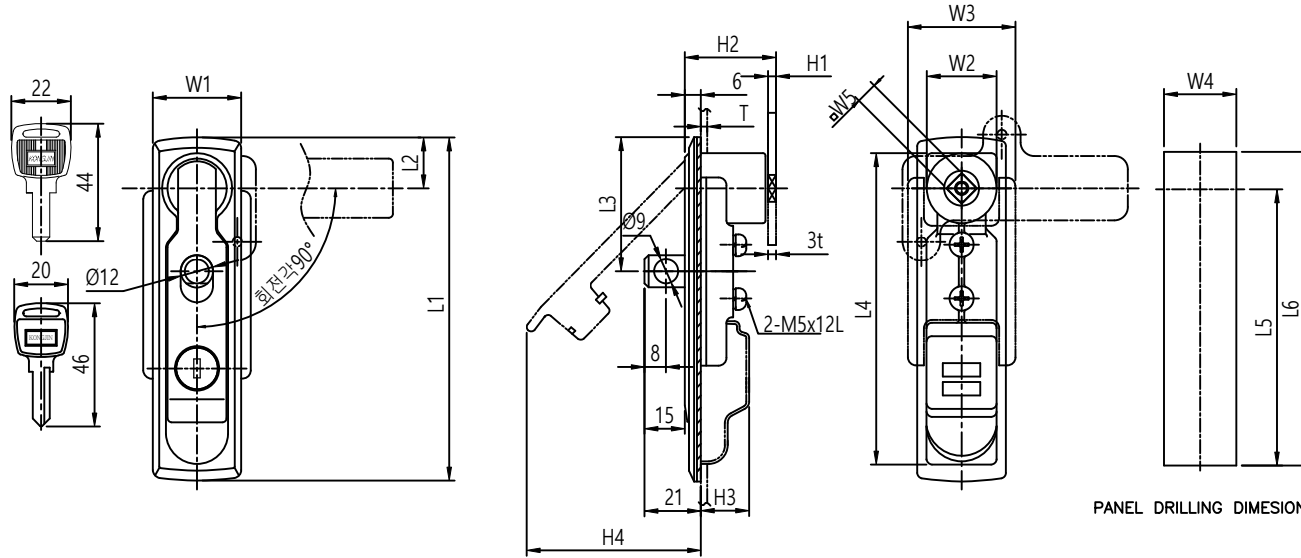


작성 도면 (Applied DRAW. No.)	
도면 번호 (DRAW. No.)	비고 (Remarks)

MARK	DATE	DETAIL OF REVISION	CHECK	APP.

KBH-HF-88W



PANEL DRILLING DIMESIONS.

제품명	L1	L2	L3	L4	L5	L6	H1	H2	H3	H4	W1	W2	W3	W4	W5	Net weight(g)
KBH-HF-88W-2KB	128	19	50	116	102	117	3	34	18	65	33	26	40	27	8	324
KBH-HF-88W-2KC	128	19	50	116	102	117	3	34	18	65	33	26	40	27	8	324
KBH-HF-88W-3KB	153	22	73	140	125	141	6	40	20	84	38	29	47	30	10	480
KBH-HF-88W-3KC	153	22	73	140	125	141	6	40	20	84	38	29	47	30	10	480

GENERAL TOLERANCE				부품번	번호	명칭	갯수	재질	비고
1-4	±0.07	±0.10	±0.20	Part No.	No.	Part Name	Q't'y		Remarks
4-6	±0.07	±0.20	±0.75	DRAWN	CHECKED	CHECKED	APPROVED	SCALE	1/1
16-63	±0.10	±0.30	±1.50						
63-250	±0.18	±0.35	±3.00						
250-500	±0.30	±0.80	±1.50						
500-1000	±0.50	±1.50	±2.50						

