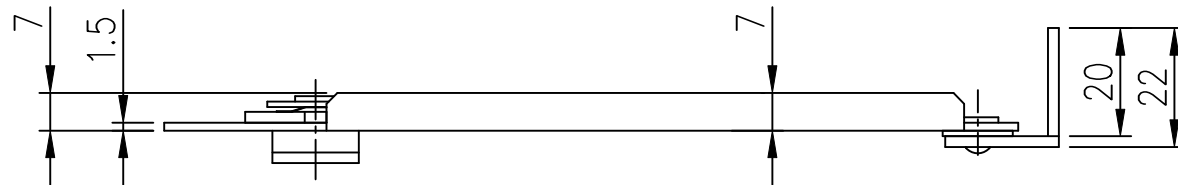
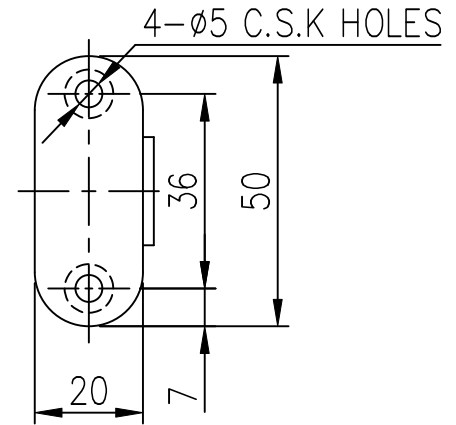
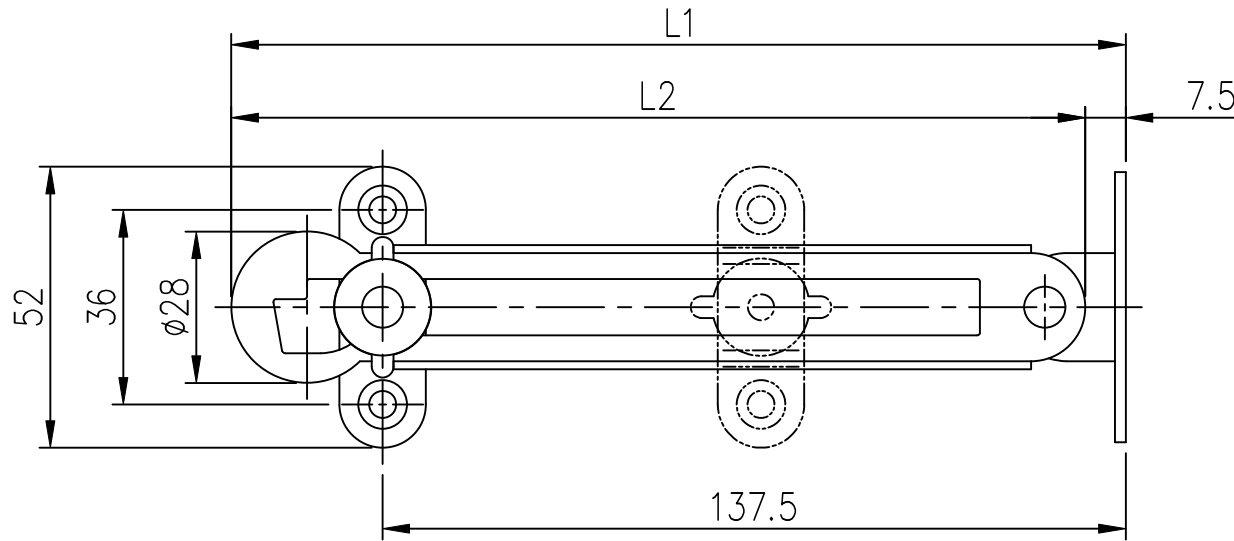


적용 도면 (Applied DRAW. No.)		MARK		DATE	DETAIL OF REVISION		CHECK	APP.
도면 번호 (DRAW. No.)	비고 (Remarks)	△						
1		△						
2								



GENERAL TOLERANCE

DIVISION	GRADE	A LEVEL	B LEVEL	C LEVEL
1-4		± 0.05	± 0.10	± 0.25
4-6		± 0.07	± 0.20	± 0.35
16-63		± 0.10	± 0.30	± 0.50
63-250		± 0.18	± 0.55	± 0.90
250-500		± 0.30	± 0.90	± 1.50
500-1000		± 0.50	± 1.50	± 2.50

부품번 Part No.	번호 No.	명칭 Part Name	갯수 Qt'y	재질 Material	비고 Remarks
DRAWN	CHECKED	CHECKED	APPROVED	SCALE : 1/1	MODEL :
				UNIT : MM	TITLE :
			SIZE : A3	THIRD ANGLE PROJECTION	MODEL No.
			DATE :	DWG No.	