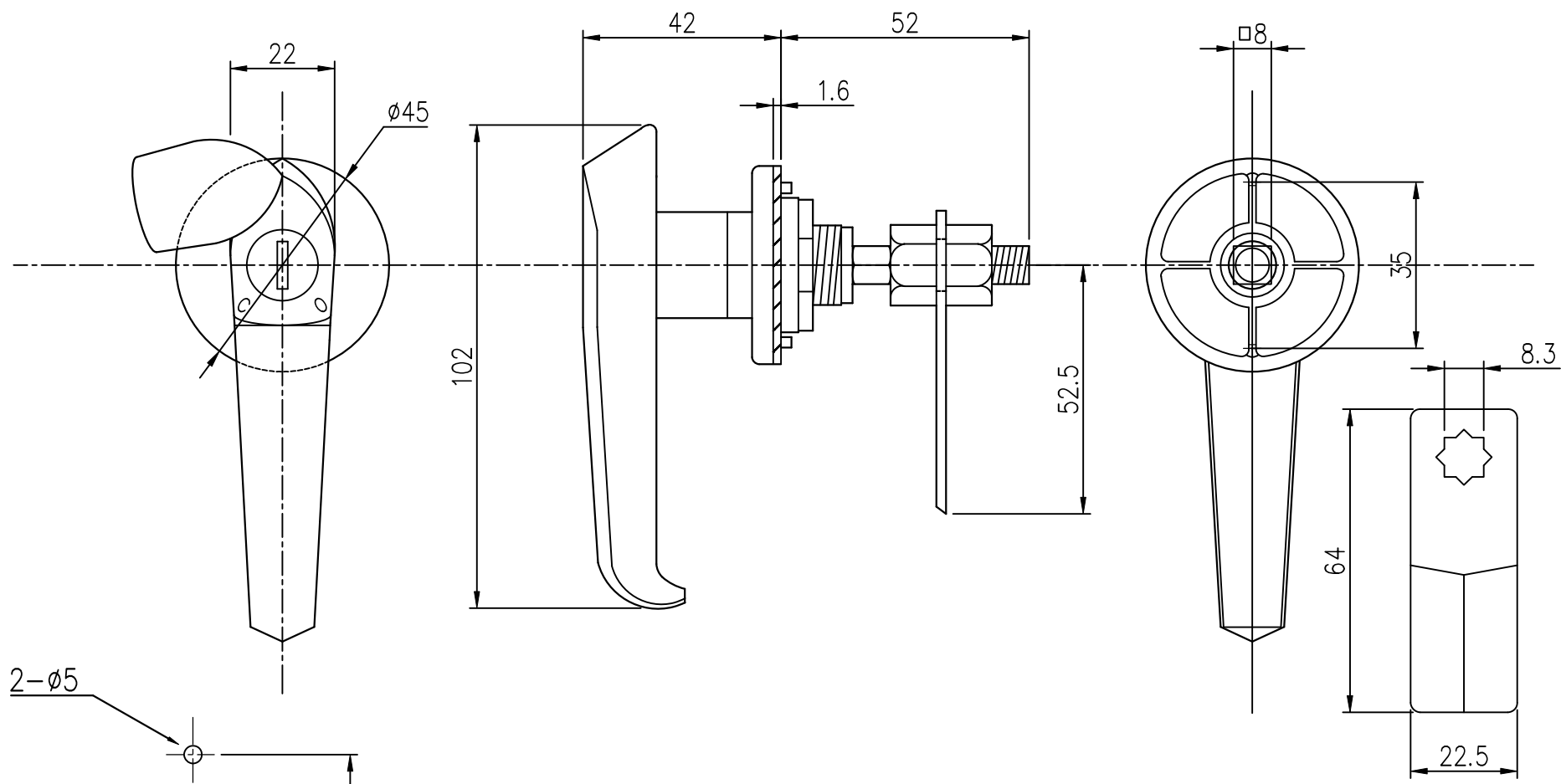


| | | | | | | | | |
|---------------------------|--------------|------|--|------|--------------------|--|-------|------|
| 적용 도면 (Applied DRAW. No.) | | MARK | | DATE | DETAIL OF REVISION | | CHECK | APP. |
| 도면 번호 (DRAW. No.) | 비고 (Remarks) | △ | | | | | | |
| 1 | | △ | | | | | | |
| 2 | | | | | | | | |



| DIVISION | GRADE | GENERAL TOLERANCE | | |
|----------|-------|-------------------|------------|------------|
| | | A LEVEL | B LEVEL | C LEVEL |
| 1-4 | | ± 0.05 | ± 0.10 | ± 0.25 |
| 4-6 | | ± 0.07 | ± 0.20 | ± 0.35 |
| 16-63 | | ± 0.10 | ± 0.30 | ± 0.50 |
| 63-250 | | ± 0.18 | ± 0.55 | ± 0.90 |
| 250-500 | | ± 0.30 | ± 0.90 | ± 1.50 |
| 500-1000 | | ± 0.50 | ± 1.50 | ± 2.50 |

| | | | | | |
|------------------|-----------|-----------------|------------|------------------------|---------------|
| 부품번호 Part No. | 번호 No. | 명칭 Part Name | 갯수 Qt'y | 재질 | 비고 Remarks |
| DRAWN | CHECKED | CHECKED | APPROVED | SCALE: 1/1 | MODEL: |
| | | | | UNIT: MM | TITLE: |
| | | | SIZE: A3 | THIRD ANGLE PROJECTION | MODEL No. |
| DATE: | | | | DWG No. | |