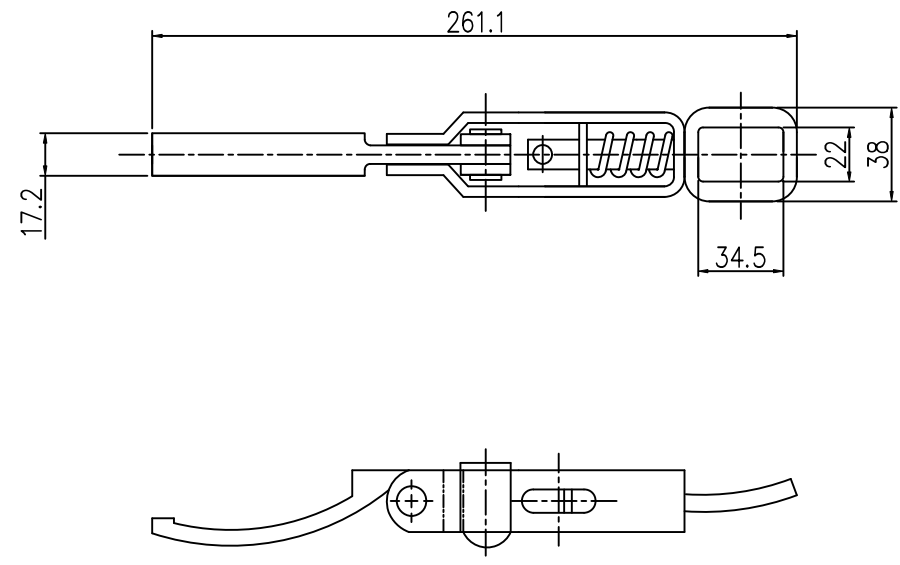


MARK	DATE	DETAIL OF REVISION	CHECK	APP.
△				

작성 일자 (App'ed DWG. No.)	
작성 일자 (DWG. No.)	제 2 (Remarks)



GENERAL TOLERANCE

수량	A LEVEL	B LEVEL	C LEVEL
1-4	±0.07	±0.10	±0.20
4-6	±0.07	±0.20	±0.25
16-63	±0.10	±0.30	±0.50
63-250	±0.15	±0.55	±0.80
250-500	±0.30	±0.90	±1.50
500-1000	±0.50	±1.50	±2.50

부품번	번호	명칭	갯수	재질	비고
Part No.	No.	Part Name	Q't'y	Material	Remarks
DRW	CHECKED	CHECKED	APPROVED	SCALE	DATE
			MM	TITLE	
			A1	BLOCK No.	
			DATE	DWG No.	

