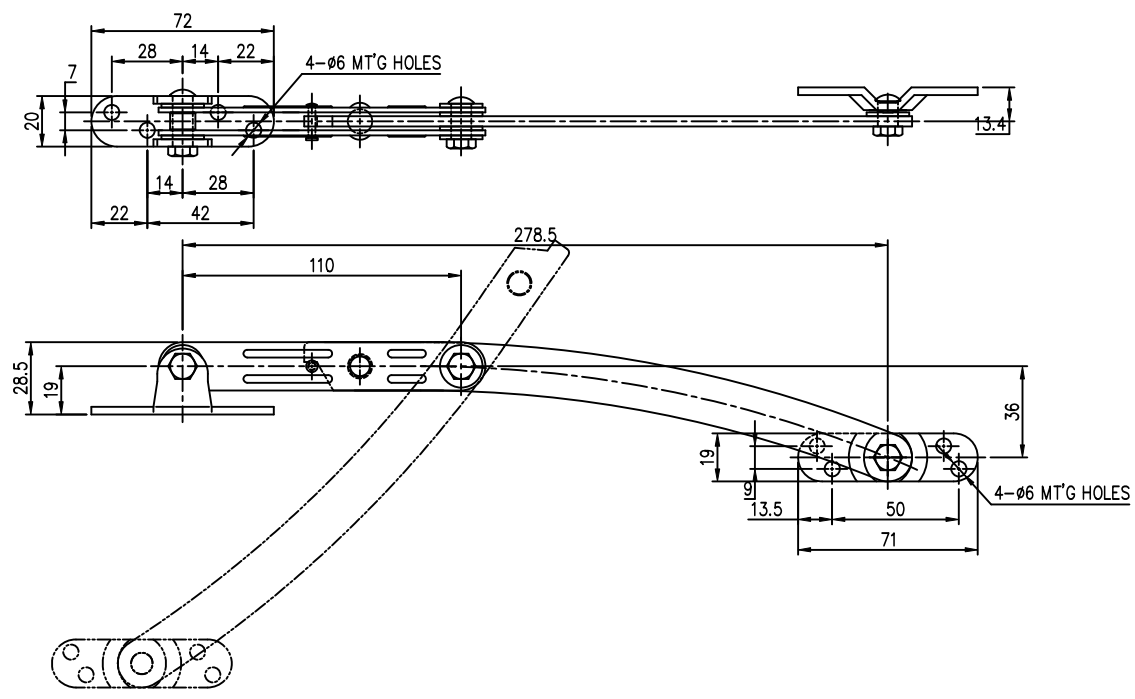


작성 일자 (Applied Date) No. 1	
작성 번호 (DRAW No.)	비고 (Remarks)

MARK	DATE	DETAIL OF REVISION	CHECK	APP.
▲				



GENERAL TOLERANCE

SIZE	A LEVEL	B LEVEL	C LEVEL
1-4	±0.07	±0.10	±0.20
4-6	±0.07	±0.20	±0.25
16-43	±0.10	±0.30	±0.50
63-250	±0.18	±0.55	±1.00
250-500	±0.30	±0.90	±1.50
500-1000	±0.50	±1.50	±2.50

부품번호 (Part No.)	번호 (No.)	명칭 (Part Name)	수량 (Q'ty)	재질 (Material)	비고 (Remarks)

