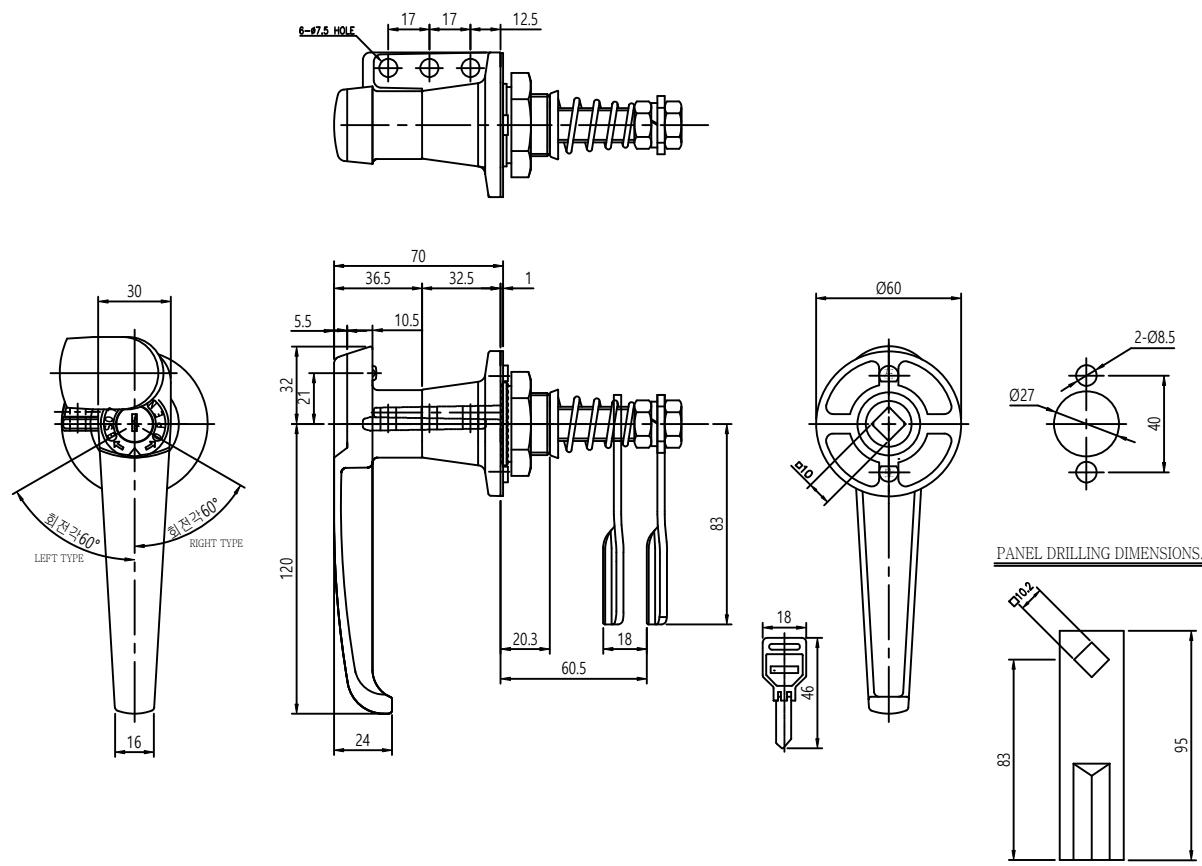


REV. NO. (Part/rev. DRAW. No.)	
REV. NO. (DRAW. No.)	RE. NO. (Remarks)

MARK	DATE	DETAIL OF REVISION	CHECK	APP.



KBH-110M-1KL, 1KR

GENERAL TOLERANCE				작성	검	승	승	재	비	고
GRADE	A LEVEL	B LEVEL	C LEVEL	Part No.	No.	Part Name	DATE	Q1 'y	MARK	Remarks
1-4	±0.09	±0.10	±0.20							
4-6	±0.07	±0.20	±0.25							
10-43	±0.10	±0.30	±0.50							
43-250	±0.18	±0.55	±1.00							
250-500	±0.30	±0.90	±1.50							
500-1000	±0.50	±1.50	±2.50							

