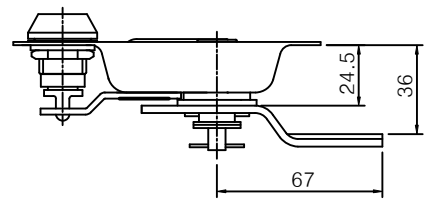
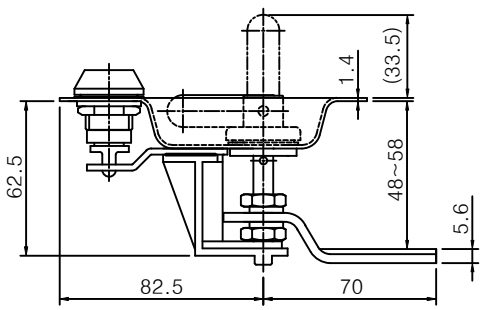
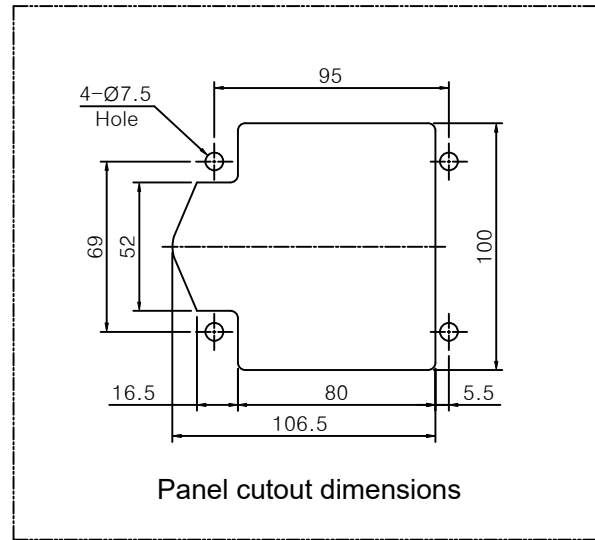
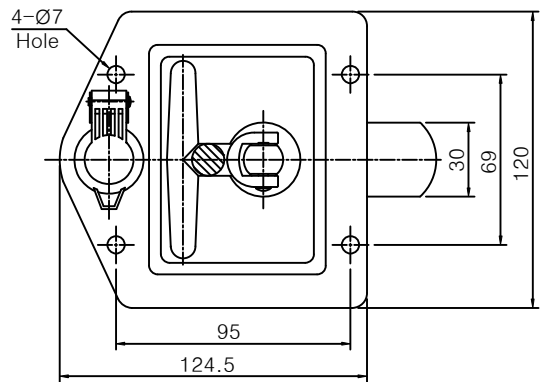


작성 일자 (Applied Date)	작성 (Applied)
작성 번호 (Drawing No.)	작성 (Applied)

MARK	DATE	DETAIL OF REVISION	CHECK	APP.



GENERAL TOLERANCE

SIZE	A LEVEL	B LEVEL	C LEVEL
1-4	±0.07	±0.10	±0.15
4-6	±0.07	±0.10	±0.15
16-63	±0.10	±0.15	±0.20
63-250	±0.15	±0.20	±0.30
250-500	±0.20	±0.30	±0.40
500-1000	±0.30	±0.40	±0.50

부품번호 (Part No.)	번호 (No.)	명칭 (Part Name)	수량 (Q'ty)	재질 (Material)	비고 (Remarks)
작성 (DRAWN)	검토 (CHECKED)	승인 (APPROVED)	SCALE	DATE	REVISION
			1/1		
DWG. TITLE			REV. NO.		
MM			A1		
Kwangil Engineering			DATE		
KWANGL ENGINEERING			DWG. No.		