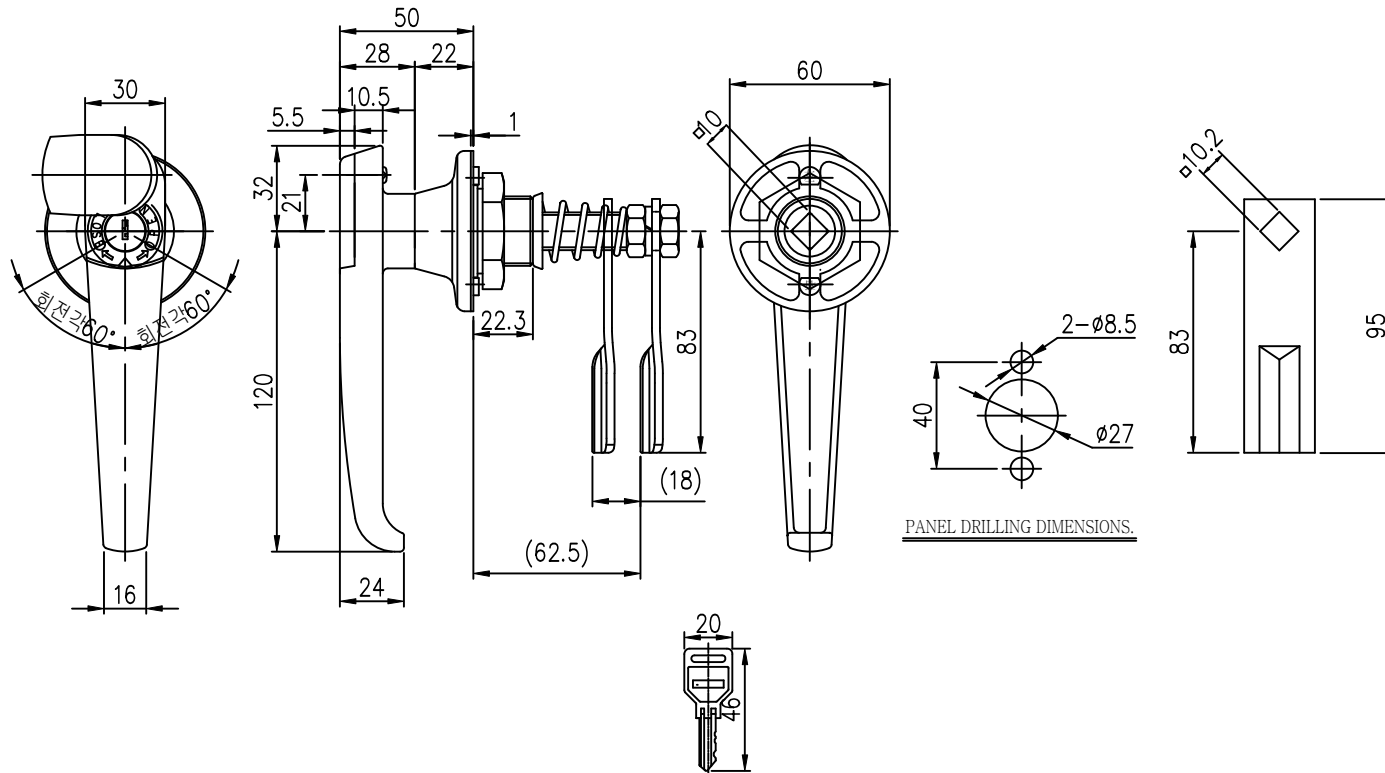


작성 일자 (Applied Date) No. 1	
도면 번호 (Draw No.)	비고 (Remarks)

MARK	DATE	DETAIL OF REVISION	CHECK	APP.
▲				



PANEL DRILLING DIMENSIONS.

GENERAL TOLERANCE				부품번	번호	명칭	갯수	재질	비고
단위	A LEVEL	B LEVEL	C LEVEL	Part No.	No.	Part Name	Qt'y		Remarks
1-4	±0.07	±0.10	±0.20						
4-6	±0.07	±0.20	±0.25						
16-63	±0.10	±0.30	±0.50						
63-250	±0.18	±0.55	±1.00						
250-500	±0.30	±0.90	±1.50						
500-1000	±0.50	±1.50	±2.50						

DRAWN	CHECKED	CHECKED	APPROVED	SCALE: 1/1	MODEL:
				MM	TITLE:
				A1	MODEL No.:
				DATE:	DWG No.:

**광원엔지니어링**  
KWANGL ENGINEERING