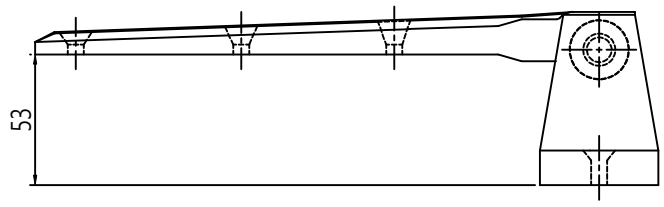
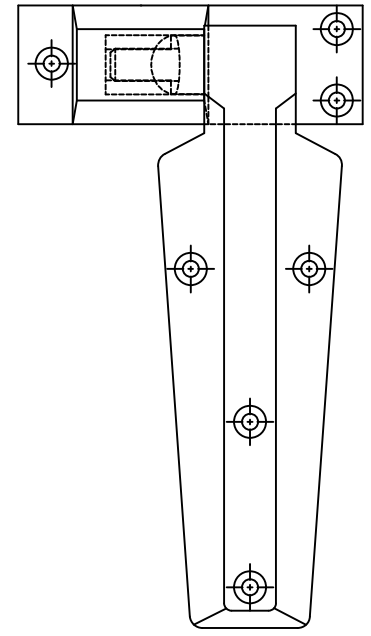
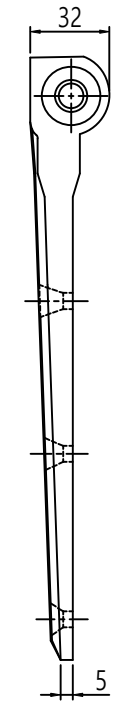
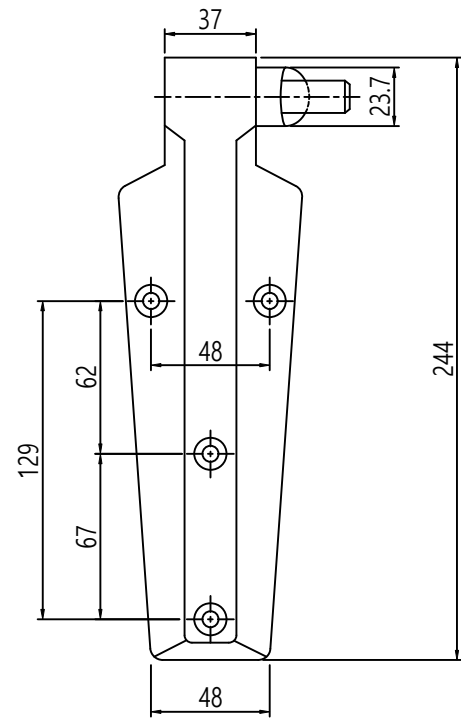
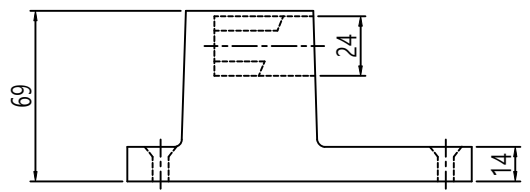
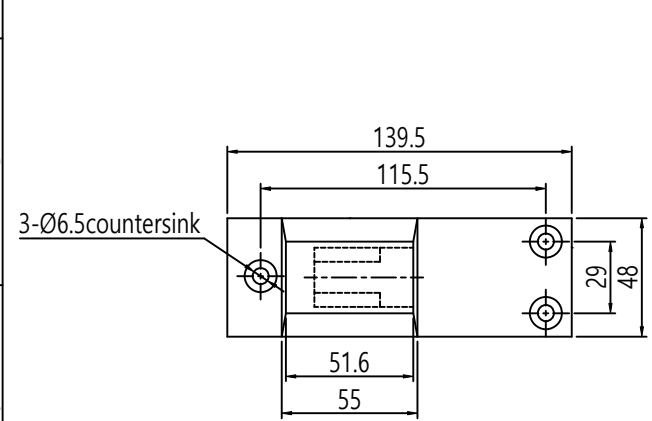


작성 일자 (App'ed Date, No.)	작성 (Designer)
검정 일자 (CHK'd Date, No.)	검정 (Checker)

MARK	DATE	DETAIL OF REVISION	CHECK	APP.



GENERAL TOLERANCE

SIZE	A LEVEL	B LEVEL	C LEVEL
1-4	±0.07	±0.10	±0.20
4-6	±0.07	±0.20	±0.25
16-63	±0.10	±0.30	±0.50
63-250	±0.15	±0.55	±1.00
250-500	±0.30	±0.90	±1.50
500-1000	±0.50	±1.50	±2.50

부품번호 (Part No.)	번호 (No.)	명칭 (Part Name)	수량 (Q'ty)	재질 (Material)	비고 (Remarks)
작성 (DRAWN)	검정 (CHECKED)	승인 (APPROVED)	DATE	TITLE	
			SCALE	MODEL	
			DATE	MODEL No.	