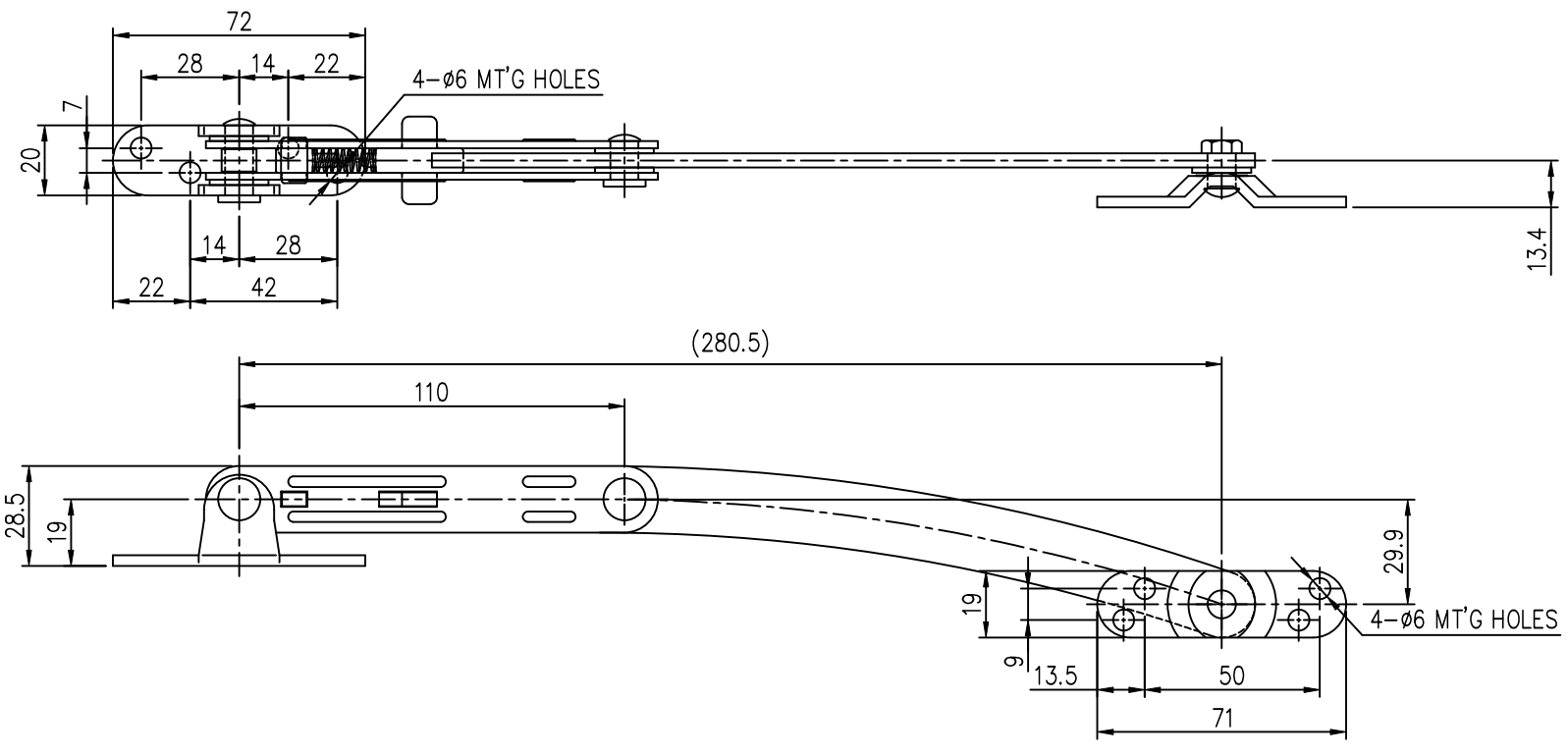


적용 도면 (Applied DRAW. No.)		MARK		DATE	DETAIL OF REVISION		CHECK	APP.
1	도면 번호 (DRAW. No.)	비고 (Remarks)		21.04.27.	실용 치수표 변경		D.U.PARK	
2								



GENERAL TOLERANCE

DWG. NO.	GRADE	A LEVEL	B LEVEL	C LEVEL
1-4		±0.05	±0.10	±0.25
4-16		±0.07	±0.20	±0.35
16-63		±0.10	±0.30	±0.50
63-250		±0.18	±0.55	±0.90
250-500		±0.30	±0.90	±1.50
500-1000		±0.50	±1.50	±2.50

부품번호 Part No.	번호 No.	명칭 Part Name	갯수 Qt'y	재질 Material	비고 Remarks
DRAWN	CHECKED	CHECKED	APPROVED	SCALE: 1/1	MODEL:
				UNIT: MM	TITLE:
SIZE: A2			DATE:	MODEL No.	DWG No.

