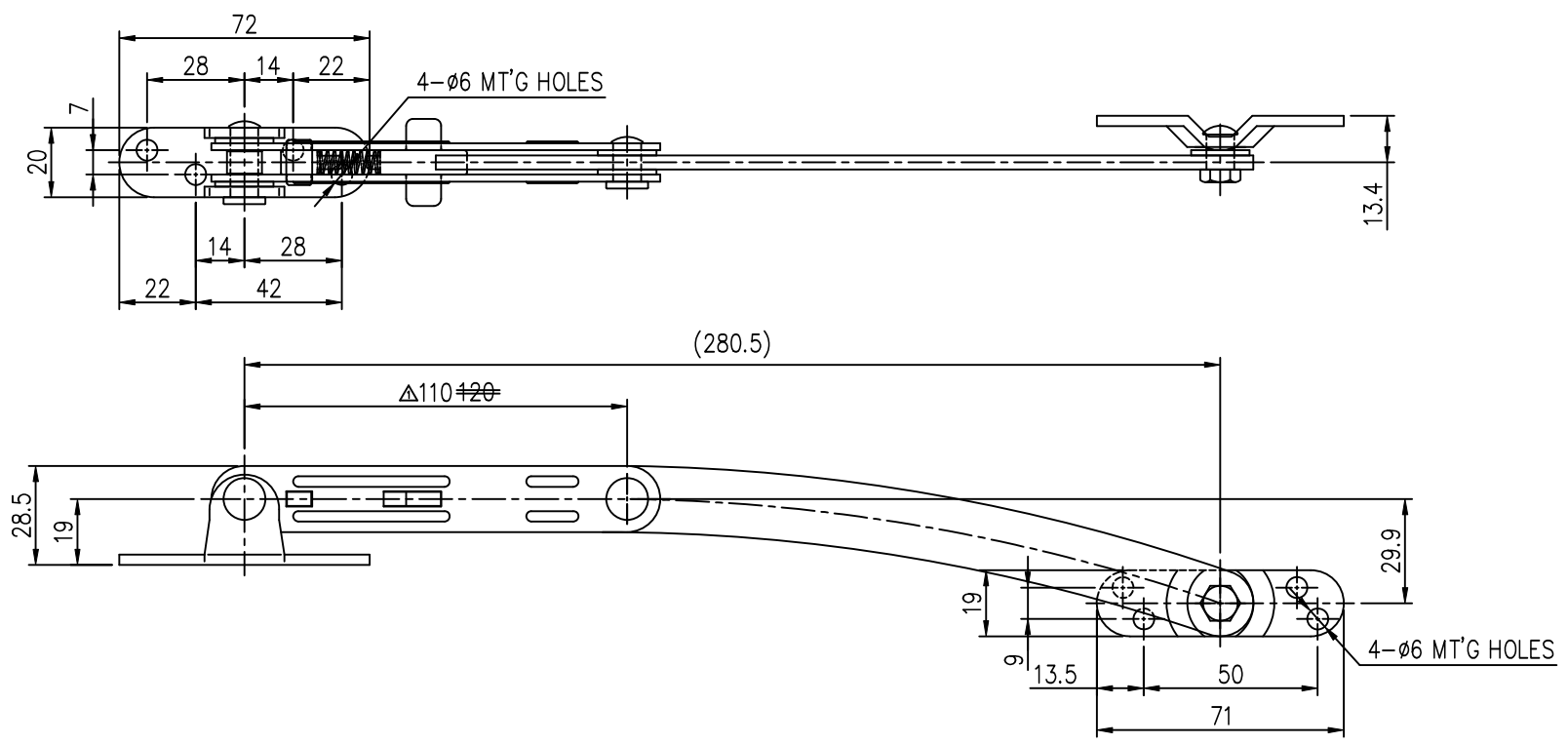


적용 도면 (Applied DRAW. No.)		MARK		DATE	DETAIL OF REVISION		CHECK	APP.
1	도면 번호 (DRAW. No.)	비고 (Remarks)		▲	21. 04. 27.	실용 치수표 변경	D.U.PARK	
2				▲				



GENERAL TOLERANCE				부품번호	번호	명칭	갯수	재질	비고	
DWG. NO.	GRADE	A LEVEL	B LEVEL	C LEVEL	Part No.	No.	Part Name	Qt'y	Material	Remarks
1-4	±0.05	±0.10	±0.20	±0.25						
4-16	±0.07	±0.20	±0.30	±0.35						
16-63	±0.10	±0.30	±0.50	±0.60						
63-250	±0.18	±0.55	±0.90	±1.00						
250-500	±0.30	±0.90	±1.50	±1.50						
500-1000	±0.50	±1.50	±2.50	±2.50						

DRAWN	CHECKED	CHECKED	APPROVED	SCALE: 1/1	MODEL:
				UNIT: MM	TITLE:
				SIZE: A2	MODEL No.:
DATE:					DWG No.: