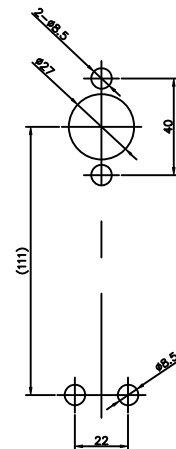
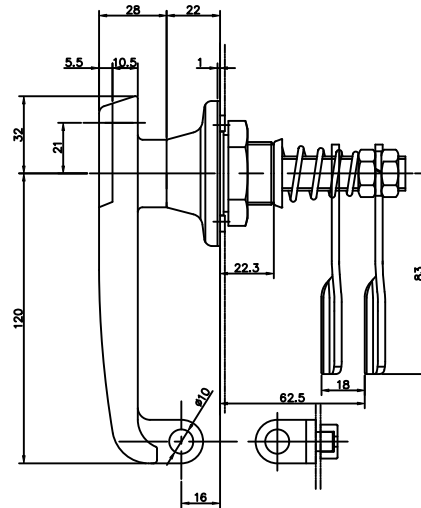
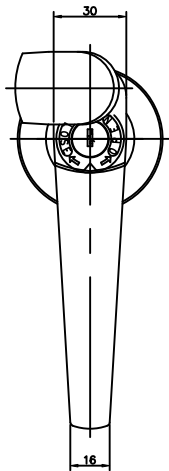
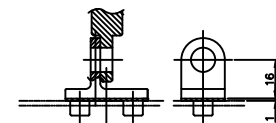


REV. 011E (Part/rev. DRAW. No.)	
011E (DRAW. No.)	01 (Remarks)

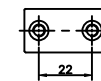
MARK	DATE	DETAIL OF REVISION	CHECK	APP.
▲				



PANEL DRILLING DIMENSIONS.



EXAMPLE OF APPLICATIONS.



GENERAL TOLERANCE

GRADE	A LEVEL	B LEVEL	C LEVEL
1-4	±0.07	±0.10	±0.20
4-6	±0.07	±0.20	±0.25
10-43	±0.10	±0.30	±0.50
63-250	±0.18	±0.55	±1.00
250-500	±0.30	±0.90	±1.50
500-1000	±0.50	±1.50	±2.50

무용번 Part No.	번호 No.	양칭 Part Name	갯수 Q't'y.	재질 MATERIAL	비고 Remarks
UNBUILT	DESIGNED	APPROVED	DATE	FILE NO.	
			DATE	MODEL No.	DWG No.