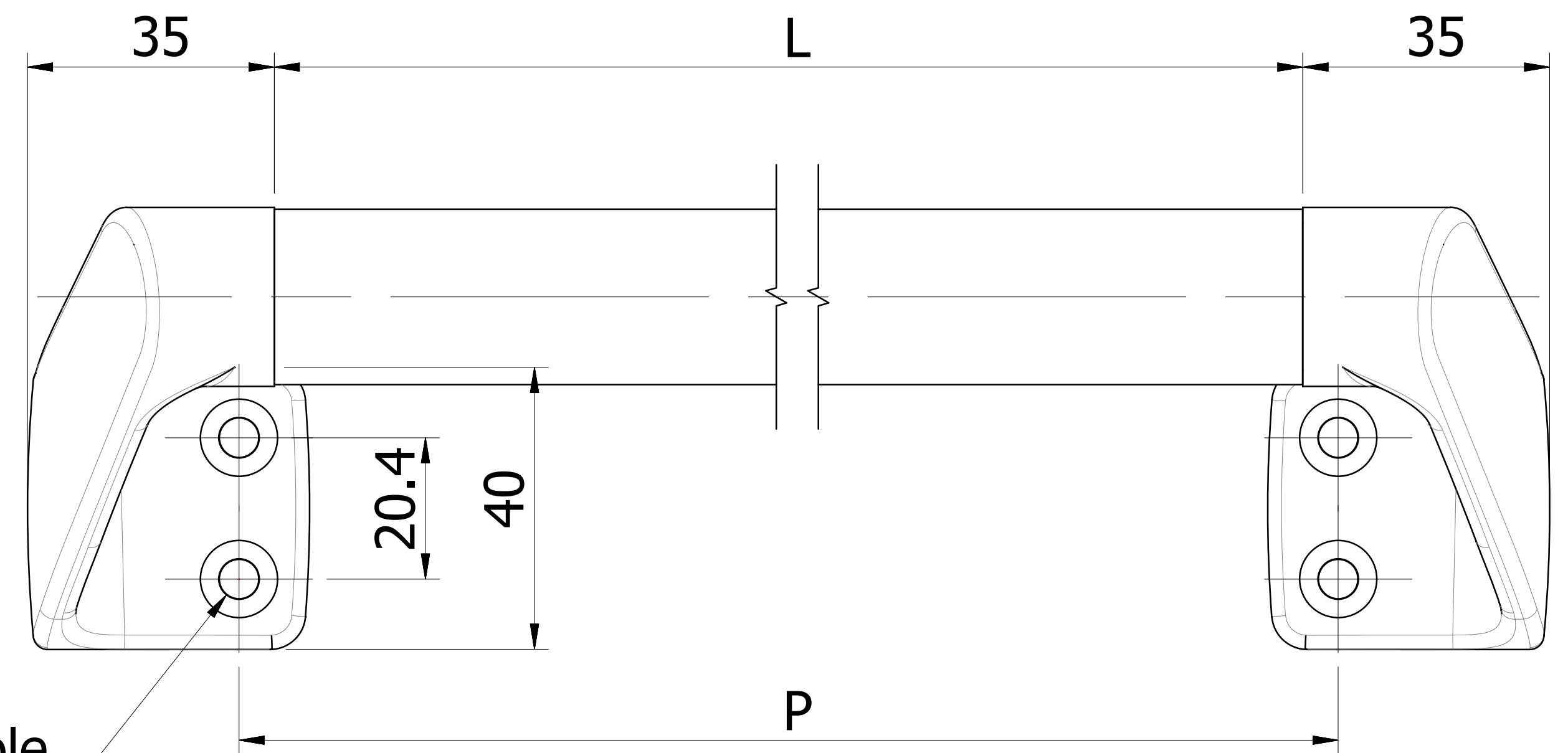
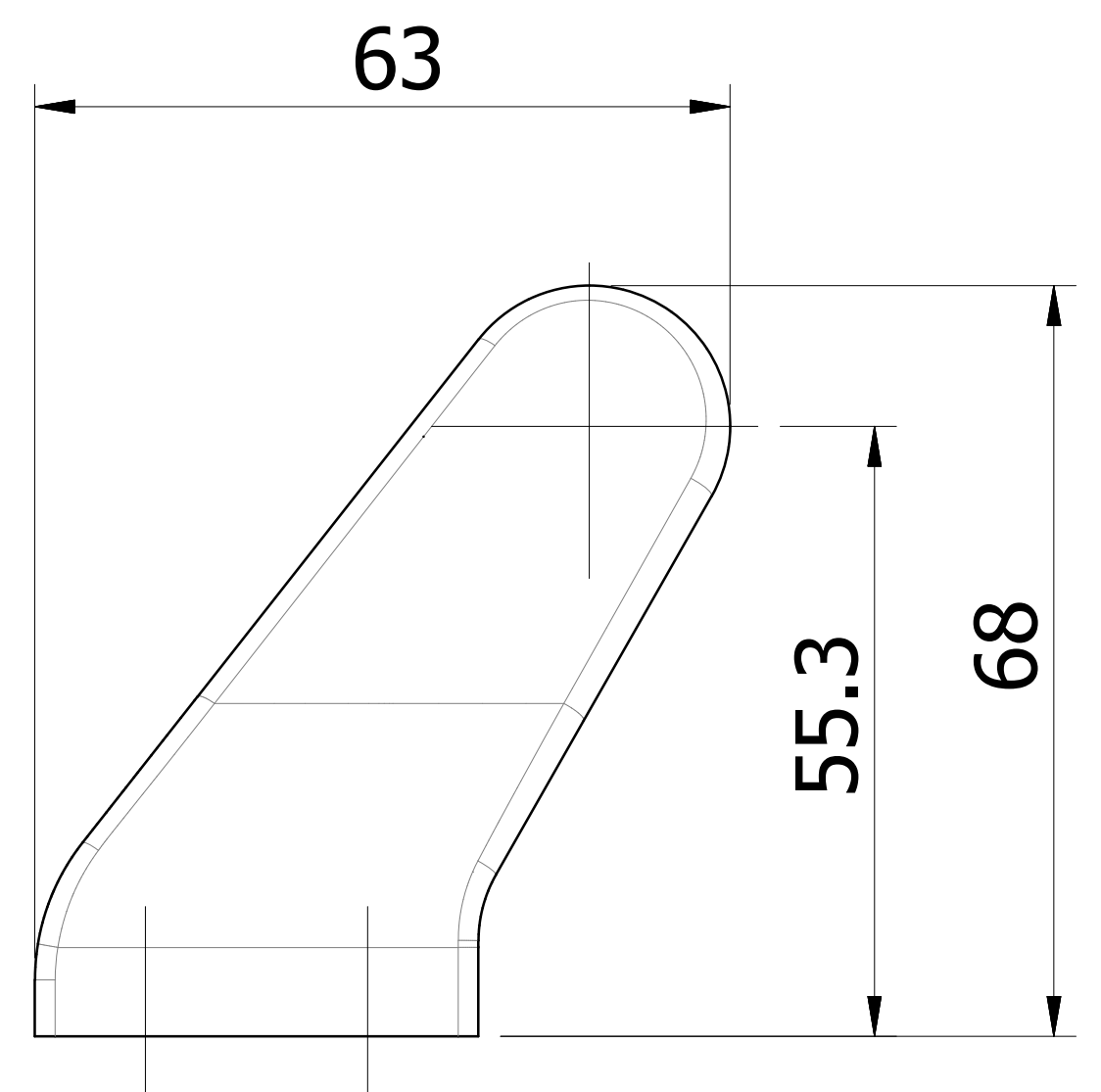
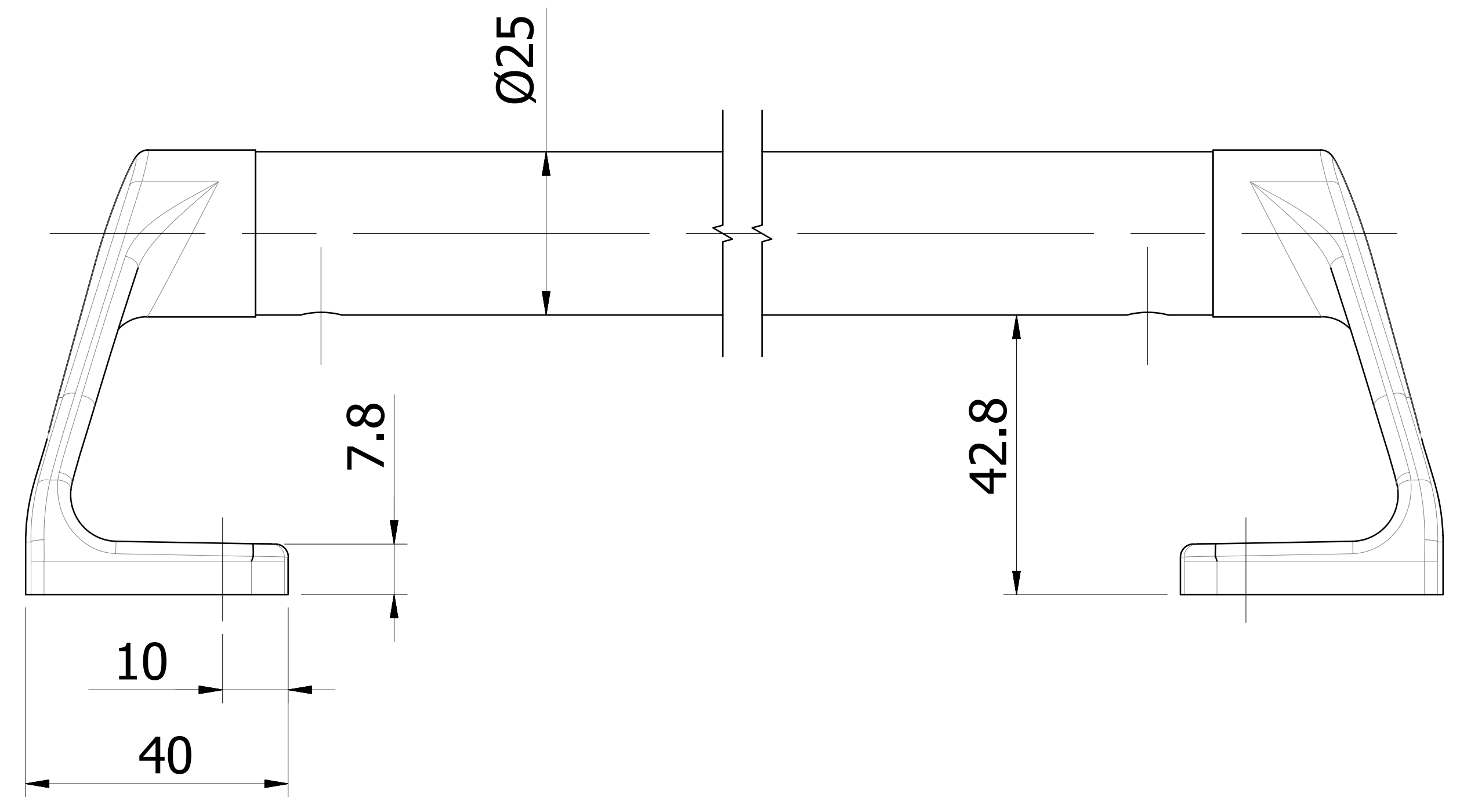


적용 도면 (Applied DRAW. No.)	
도면 번호 (DRAW. No.)	비고 (Remarks)
1	
2	

MARK	DATE	DETAIL OF REVISION	CHECK	APP.
△				
△				



4-Ø5.6 Hole  
C'SINK(Ø11)



	L	P
KPAHS-230	230	240
KPAHS-330	330	340
KPAHS-430	430	440
KPAHS-530	530	540
KPAHS-630	630	640
KPAHS-730	730	740
KPAHS-830	830	840
KPAHS-930	930	940

GENERAL TOLERANCE

DIMENSION	GRADE	A LEVEL	B LEVEL	C LEVEL
1-4		±0.05	±0.10	±0.25
4-6		±0.07	±0.20	±0.35
16-63		±0.10	±0.30	±0.50
63-250		±0.18	±0.55	±0.90
250-500		±0.30	±0.90	±1.50
500-1000		±0.50	±1.50	±2.50

부품 번호 Part No.	번호 No.	명칭 Part Name	갯수 Qt'y	재질	비고 Remarks
DRAWN	CHECKED	CHECKED	APPROVED	SCALE: 1/1	MODEL:
UNIT: TITLE:			MODEL No.		
DATE:			DWG No.		

