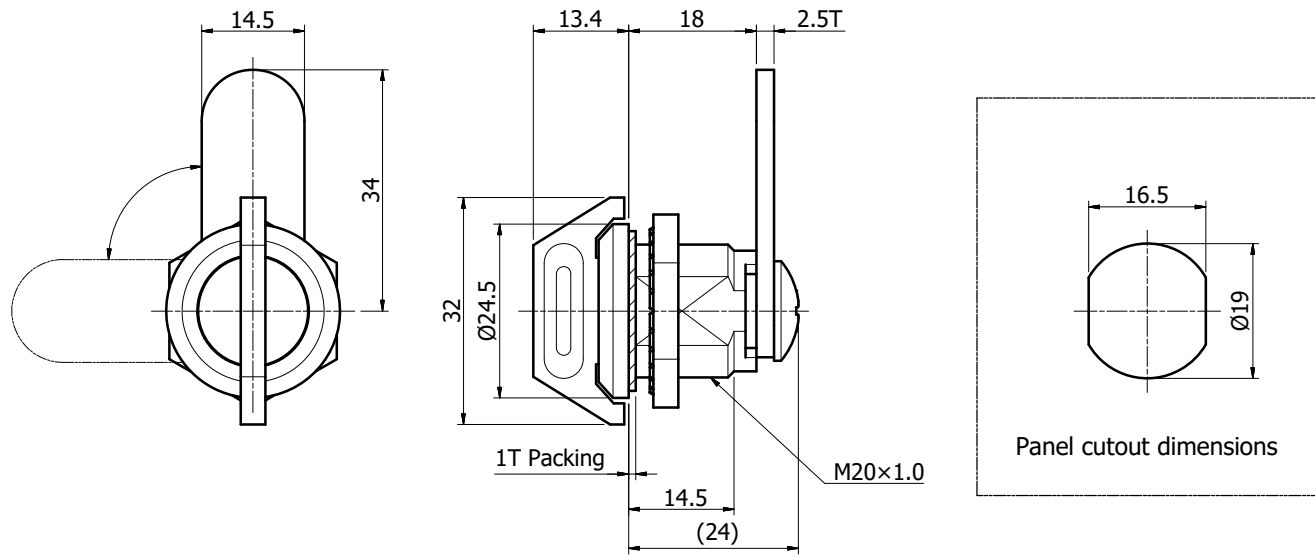


| 적용 도면 (Applied DRAW. No.) | |
|---------------------------|---------------|
| 도면 번호 (DRAW. No.) | 비 고 (Remarks) |
| 1 | |
| 2 | |


| MARK | DATE | DETAIL OF REVISION | CHECK | APP. |
|------|------|--------------------|-------|------|
| △ | | | | |
| △ | | | | |

KCL-28



GENERAL TOLERANCE

| DIVISION | GRADE | A LEVEL | B LEVEL | C LEVEL |
|----------|-------|---------|---------|---------|
| 1-4 | | ±0.05 | ±0.10 | ±0.25 |
| 4-6 | | ±0.07 | ±0.20 | ±0.35 |
| 16-63 | | ±0.10 | ±0.30 | ±0.50 |
| 63-250 | | ±0.18 | ±0.55 | ±0.90 |
| 250-500 | | ±0.30 | ±0.90 | ±1.50 |
| 500-1000 | | ±0.50 | ±1.50 | ±2.50 |

| | | | | | | | |
|--|---------|------------|------------------|-------------|------------------------|-----------|----------------|
| 부 품 번 Part No. | | 번 호 No. | 명 칭 Part Name | | 갯 수 Qt'y | 재 질 | 비 고 Remarks |
| DRAWN | CHECKED | CHECKED | APPROVED | SCALE : 1/1 | MODEL : | | |
| | | | | UNIT : MM | TITLE : | | |
|  광일엔지니어링 KWANGIL ENGINEERING | | | | SIZE : A4 | THIRD ANGLE PROJECTION | MODEL No. | |
| | | | | DATE : | | DWG No. | |