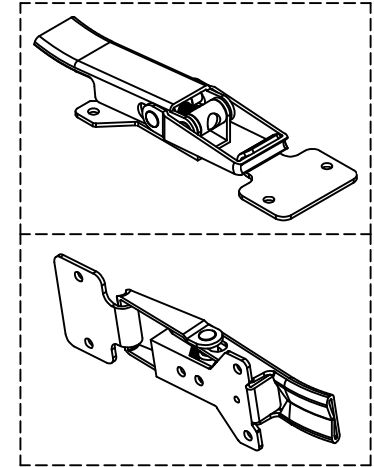
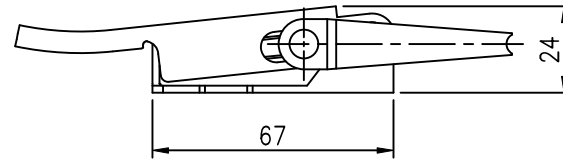
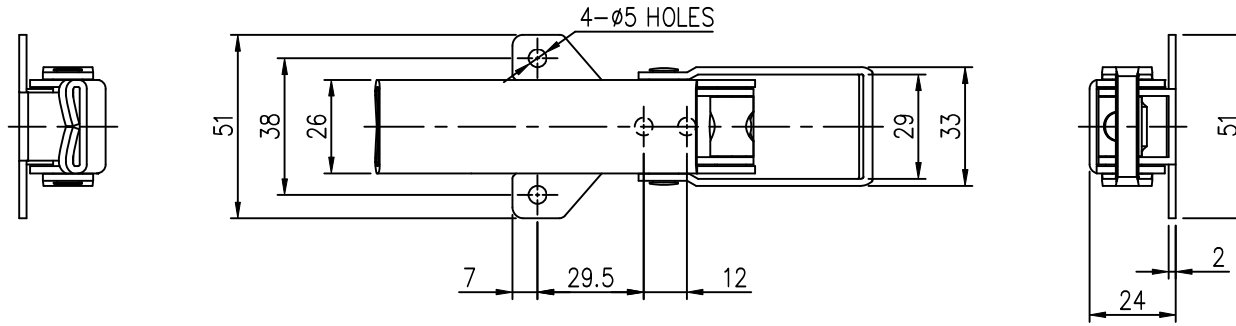


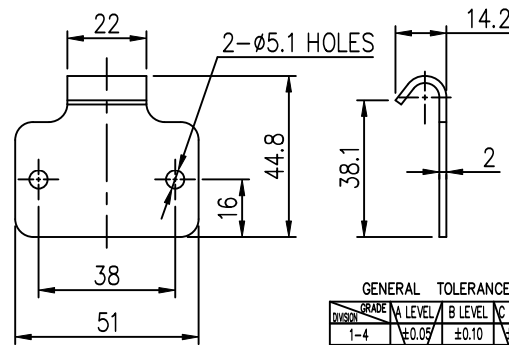
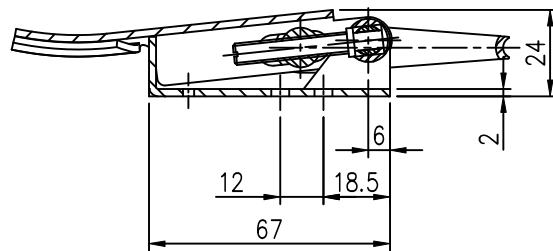
적용 도면 (Applied DRAW. No.)	
도면 번호 (DRAW. No.)	비고 (Remarks)
1	
2	

E		F	
MARK	DATE	CHECK	APP.
△			
△			

KM-27S-1



ISOMETRIC VIEW



GENERAL TOLERANCE

REVISION	GRADE	A LEVEL	B LEVEL	C LEVEL
1-4		$\pm 0.05$	$\pm 0.10$	$\pm 0.20$
4-6		$\pm 0.07$	$\pm 0.20$	$\pm 0.25$
16-63		$\pm 0.10$	$\pm 0.30$	$\pm 0.50$
63-250		$\pm 0.18$	$\pm 0.55$	$\pm 0.80$
250-500		$\pm 0.30$	$\pm 0.90$	$\pm 1.50$
500-1000		$\pm 0.50$	$\pm 1.50$	$\pm 2.50$

부품번 Part No.	번호 No.	명칭 Part Name	갯수 Qt'y	재질 Material	비고 Remarks
DRAWN	CHECKED	CHECKED	APPROVED	SCALE: 1/1	MODEL:
UNIT: MM			TITLE:		
SIZE: A2			MODEL No.:		
DATE:			DWG No.:		

