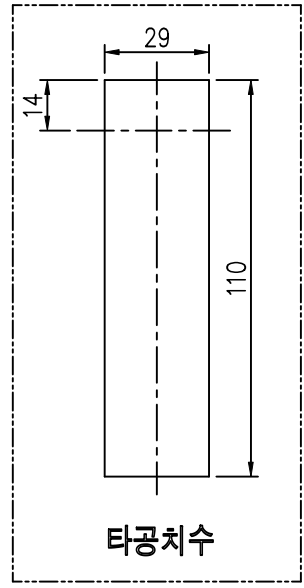
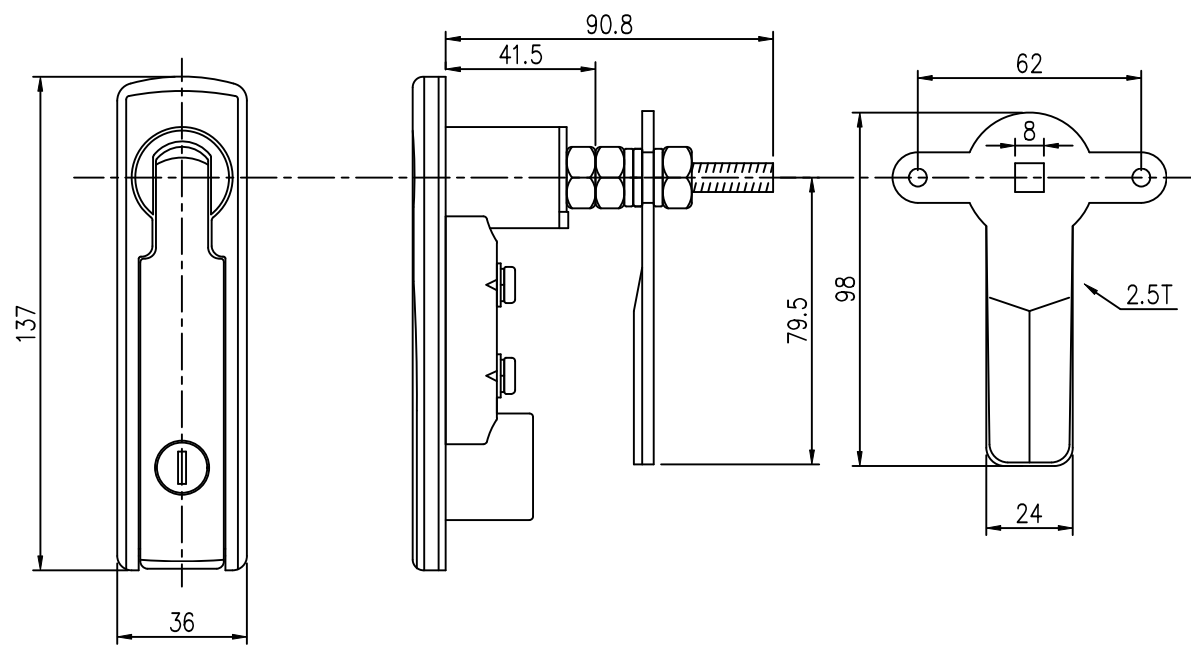


작성 도면 (Applied DRAW. No.)		G		H	
도면 번호 (DRAW. No.)	비고 (Remarks)	MARK	DATE	DETAIL OF REVISION	CHECK APP.
1		△			
2					

KBH-S137



GENERAL TOLERANCE

DIVISION	GRADE	A LEVEL	B LEVEL	C LEVEL
1-4	±0.05	±0.10	±0.25	
4-6	±0.07	±0.20	±0.75	
16-63	±0.10	±0.30	±0.50	
63-250	±0.18	±0.55	±0.90	
250-500	±0.30	±0.90	±1.50	
500-1000	±0.50	±1.50	±2.50	

부품 번호 Part No.	번호 No.	명칭 Part Name	갯수 Qty	재질	비고 Remarks
DRAWN	CHECKED	CHECKED	APPROVED	SCALE : 1/1	MODEL :
UNIT : MM			TITLE :		
SIZE : A1			MODEL No. :		
DATE :			DWG No. :		

