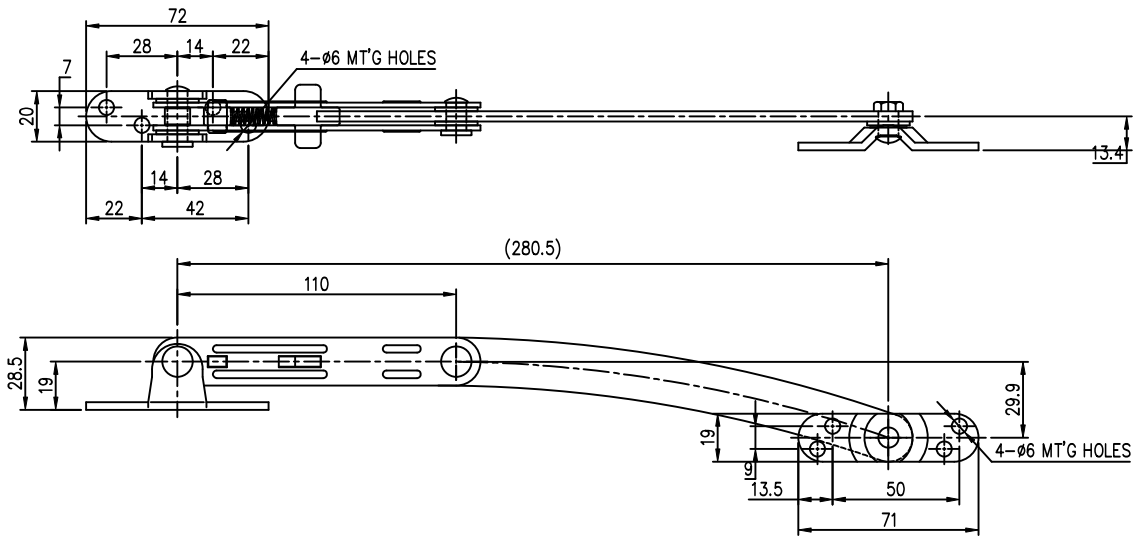


작성 일자 (Date) (Date No.)		비고 (Remarks)	

MARK	DATE	DETAIL OF REVISION	CHECK	APP.
▲				



GENERAL TOLERANCE				부품번	번호	명칭	갯수	재질	비고
LEVEL	A LEVEL	B LEVEL	C LEVEL	Part No.	No.	Part Name	Qty		Remarks
1-4	±0.05	±0.10	±0.20						
4-6	±0.07	±0.20	±0.30						
16-63	±0.10	±0.30	±0.50						
63-250	±0.15	±0.55	±0.80						
250-500	±0.30	±0.90	±1.50						
500-1000	±0.50	±1.50	±2.50						

 광원엔지니어링 KWANG ENGINEERING	DATE : 2024. 11. 15	SCALE : 1:1	MODEL : MODEL NO. :
---	------------------------	----------------	------------------------