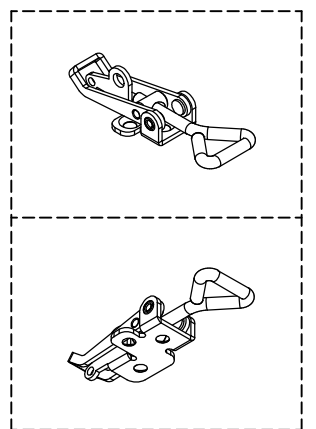
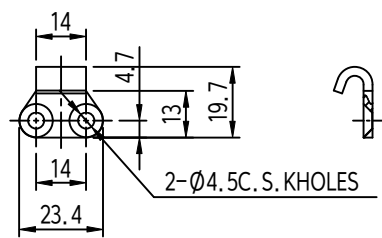
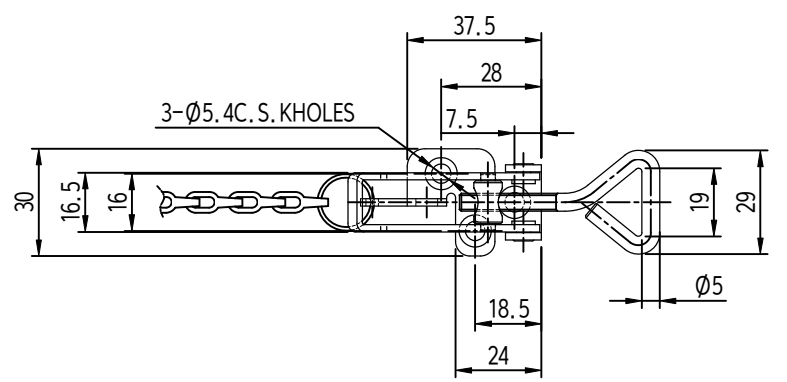


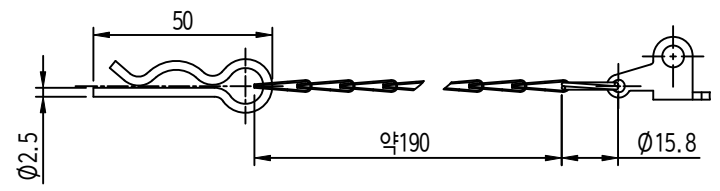
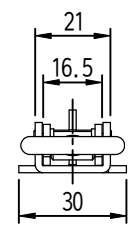
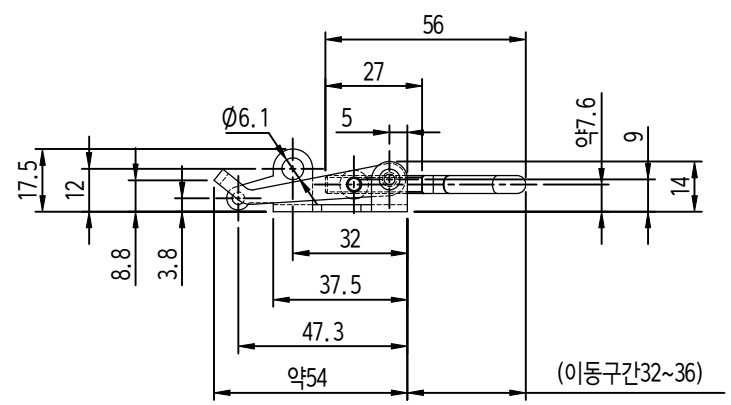
특용 도면 (Applied DRAW. No.)	
1	도면 번호 (DRAW. No.)
2	비고 (Remarks)

MARK	DATE	DETAIL OF REVISION	CHECK	APP.
▲				

KM-NR23-3S



ISOMETRICVIEW



GENERAL TOLERANCE

FINISH	GRADE	A LEVEL	B LEVEL	C LEVEL
1-4		±0.05	±0.10	±0.20
4-16		±0.07	±0.20	±0.35
16-63		±0.10	±0.30	±0.50
63-250		±0.18	±0.55	±0.90
250-500		±0.30	±0.90	±1.50
500-1000		±0.50	±1.50	±2.50

부품번호 Part No.	번호 No.	명칭 Part Name	갯수 Qt'y	재질 Material	비고 Remarks
DRAWN	CHECKED	CHECKED	APPROVED	SCALE: 1/1	MODEL:
				UNIT:	TITLE:
			SIZE: A2	MODEL No.	
DATE :			DWG No.		