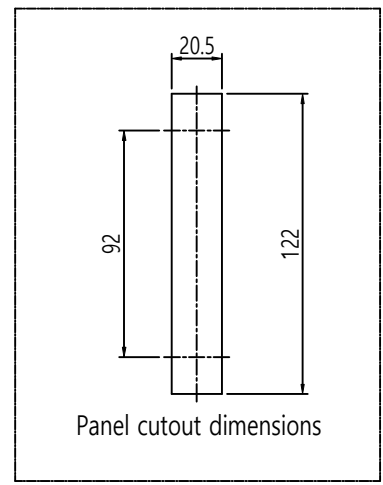
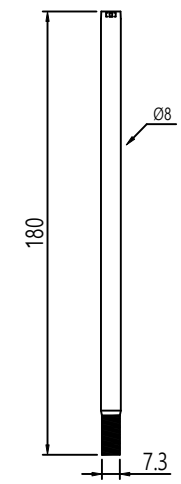
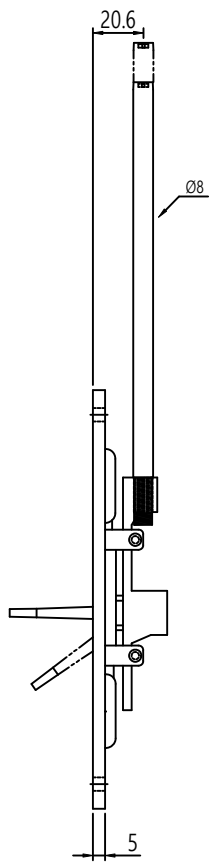
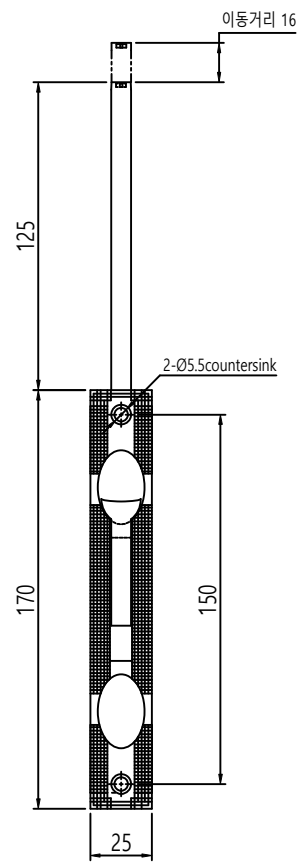


작성 일자 (Asst) (DATE No. 1)	
작성 번호 (DRAW. No.)	제 2 (Rev. No.)

MARK	DATE	DETAIL OF REVISION	CHECK	APP.
▲				



GENERAL TOLERANCE			
SIZE	A LEVEL	B LEVEL	C LEVEL
1-4	±0.07	±0.10	±0.20
4-6	±0.07	±0.20	±0.25
16-63	±0.10	±0.30	±0.50
63-250	±0.15	±0.55	±1.00
250-500	±0.30	±0.90	±1.50
500-1000	±0.50	±1.50	±2.50

부품번호 Part No.	번호 No.	명칭 Part Name	갯수 Q't'y	재질 Material	비고 Remarks

