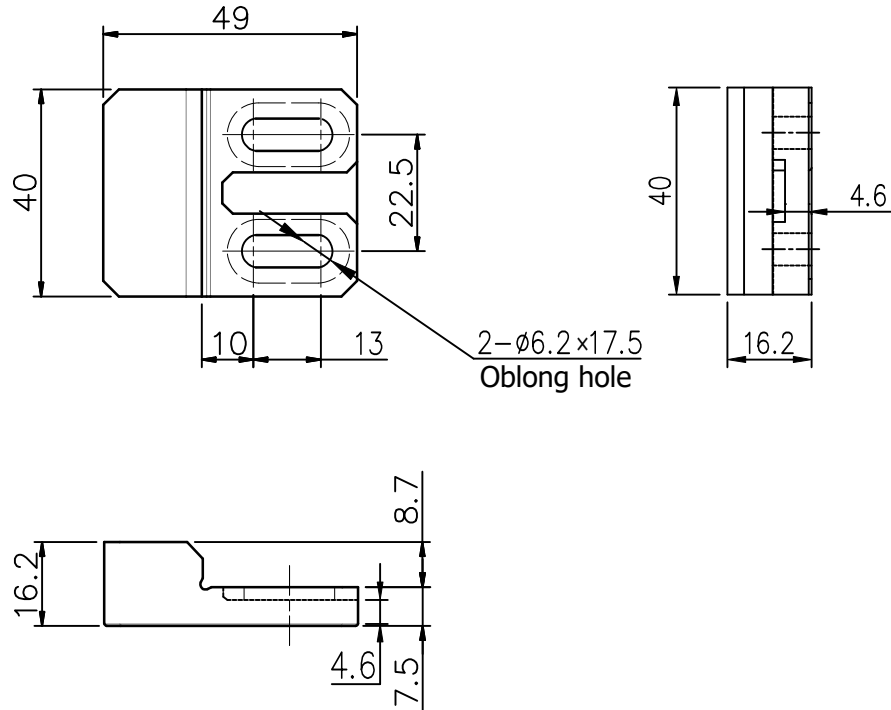


적용 도면 (Applied DRAW. No.)	
도면 번호 (DRAW. No.)	비 고 (Remarks)
1	
2	

MARK	DATE	DETAIL OF REVISION	CHECK	APP.
△				
△				



GENERAL TOLERANCE			
GRADE	A LEVEL	B LEVEL	C LEVEL
1-4	± 0.05	± 0.10	± 0.25
4-6	± 0.07	± 0.20	± 0.35
16-63	± 0.10	± 0.30	± 0.50
63-250	± 0.18	± 0.55	± 0.90
250-500	± 0.30	± 0.90	± 1.50
500-1000	± 0.50	± 1.50	± 2.50

부 품 번 Part No.		번호 No.	명 칭 Part Name		갯수 Qt'y	재 질	비 고 Remarks
DRAWN	CHECKED	CHECKED	APPROVED	SCALE : 1/1	MODEL :		
				UNIT : MM	TITLE :		
 광일엔지니어링 KWANGL ENGINEERING				SIZE : A3	THIRD ANGLE PROJECTION	MODEL No.	
				DATE :		DWG No.	