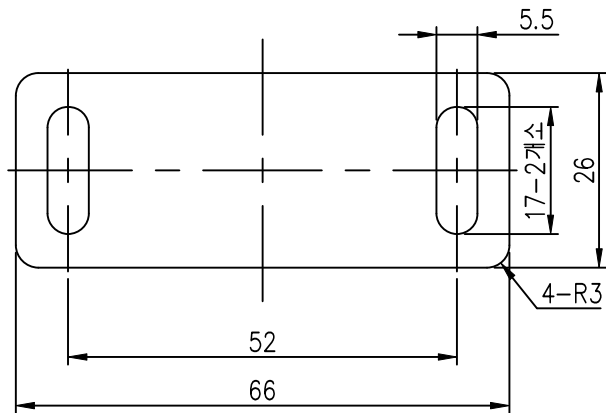


| A | | B | | C | | |
|---------------------------|-------------------|------|------|--------------------|-------|------|
| 적용 도면 (Applied DRAW. No.) | | MARK | DATE | DETAIL OF REVISION | CHECK | APP. |
| | 도면 번호 (DRAW. No.) | | | | | |
| 1 | 비 고 (Remarks) | △ | | | | |
| 2 | | △ | | | | |



GENERAL TOLERANCE

| DIVISION | GRADE | A LEVEL | B LEVEL | C LEVEL |
|----------|-------|------------|------------|------------|
| 1-4 | | ± 0.05 | ± 0.10 | ± 0.25 |
| 4-6 | | ± 0.07 | ± 0.20 | ± 0.35 |
| 16-63 | | ± 0.10 | ± 0.30 | ± 0.50 |
| 63-250 | | ± 0.18 | ± 0.55 | ± 0.90 |
| 250-500 | | ± 0.30 | ± 0.90 | ± 1.50 |
| 500-1000 | | ± 0.50 | ± 1.50 | ± 2.50 |

| 부 품 번 Part No. | | 번호 No. | 명 칭 Part Name | | 갯수 Qt'y | 재 질 | 비 고 Remarks |
|--|---------|-----------|------------------|-------------|------------------------|-----------|----------------|
| DRAWN | CHECKED | CHECKED | APPROVED | SCALE : 1/1 | MODEL : | | |
| | | | | UNIT : MM | TITLE : | | |
| 광일엔지니어링 KWANGIL ENGINEERING | | | | SIZE : A4 | THIRD ANGLE PROJECTION | MODEL No. | |
| | | | | DATE : | | DWG No. | |