

A

B

C

D

적용 도면 (Applied DRAW. No.)

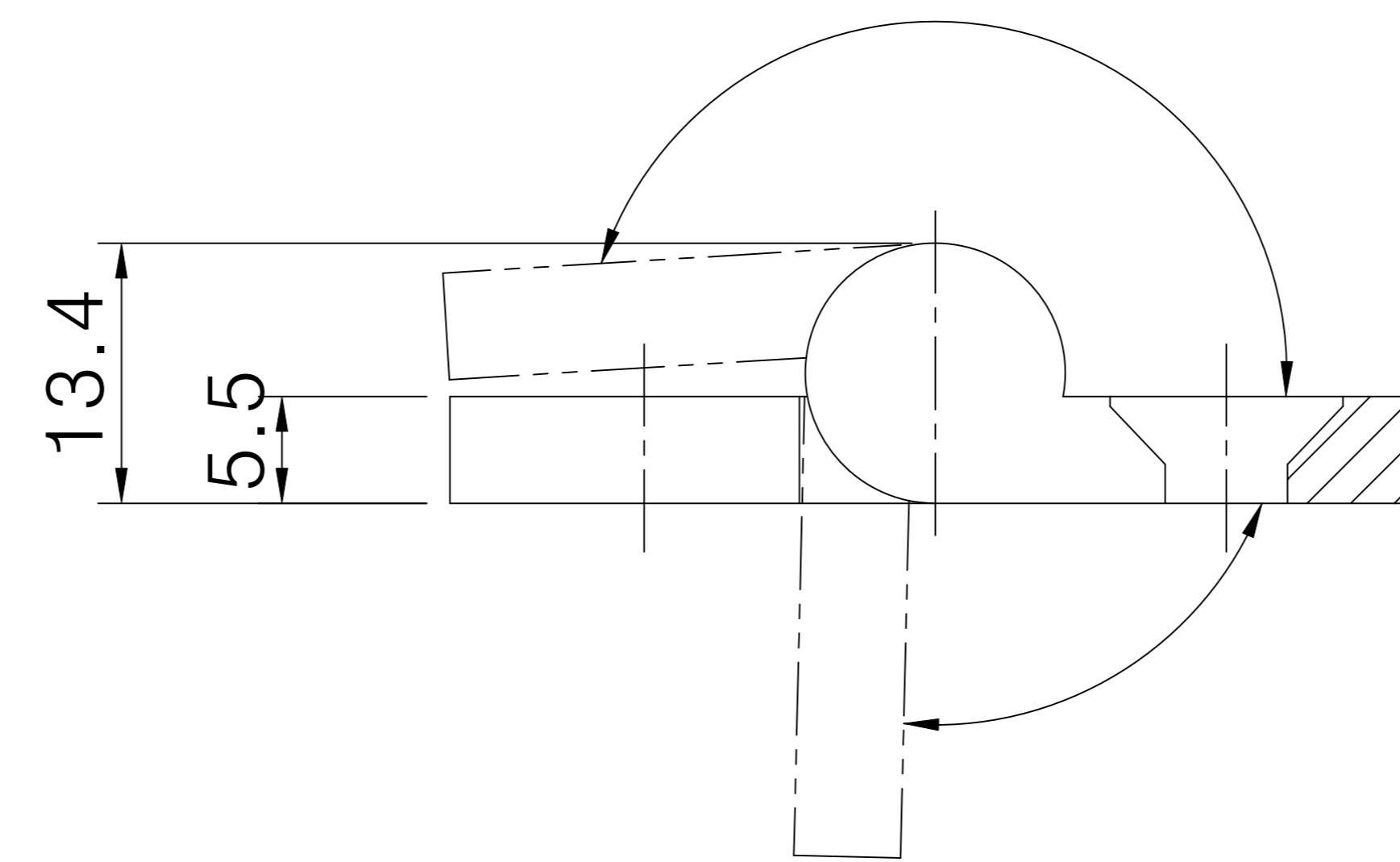
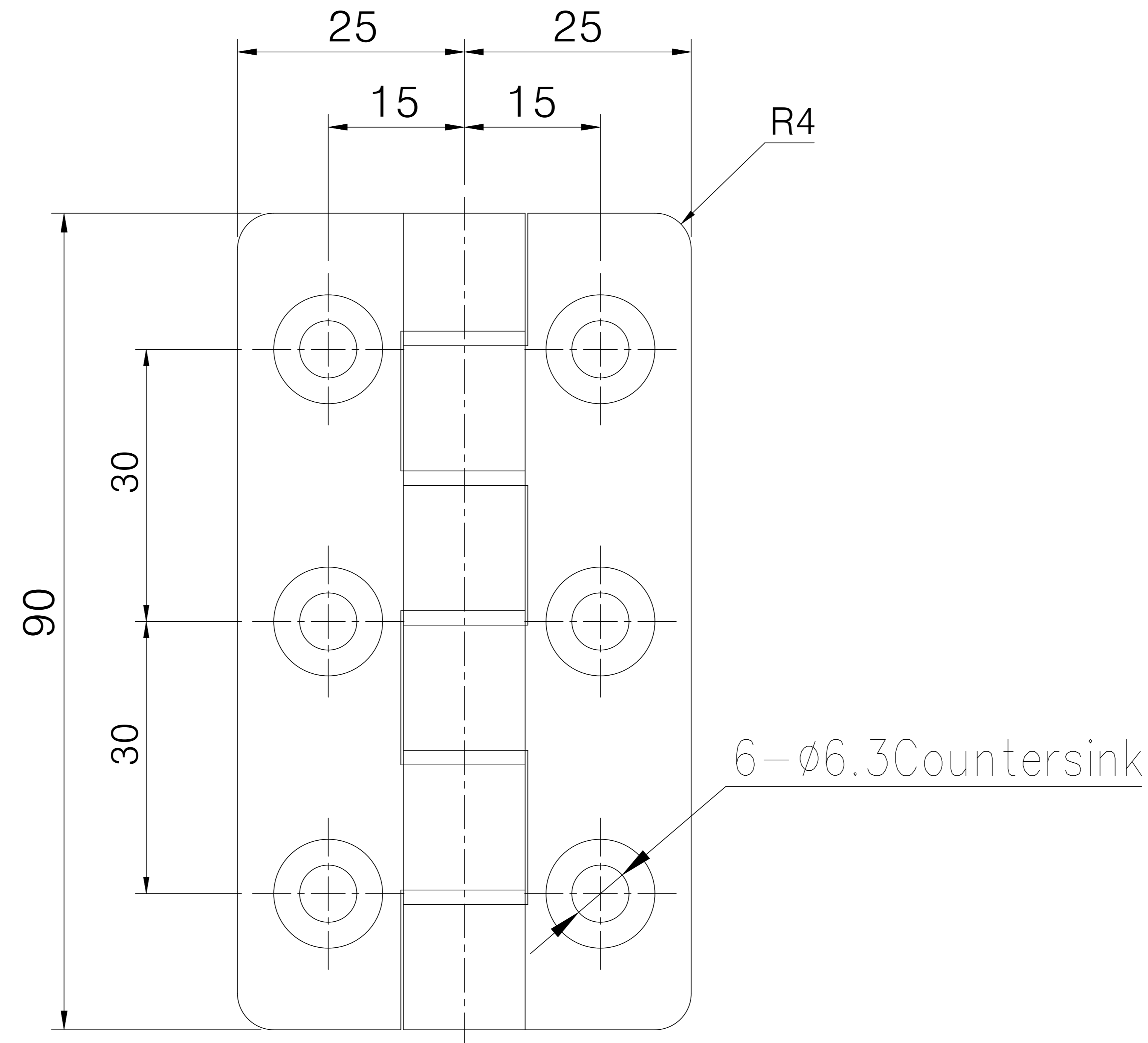
도면 번호 (DRAW. No.)

비 고 (Remarks)

1		
2		

MARK	DATE	DETAIL OF REVISION	CHECK	APP.
△				
△				

KHCS-9050



GENERAL TOLERANCE

DIVISION	GRADE	A LEVEL	B LEVEL	C LEVEL
1-4		±0.05	±0.10	±0.25
4-6		±0.07	±0.20	±0.35
16-63		±0.10	±0.30	±0.50
63-250		±0.18	±0.55	±0.90
250-500		±0.30	±0.90	±1.50
500-1000		±0.50	±1.50	±2.50

부 품 번 Part No.	번호 No.	명 칭 Part Name	갯수 Qt'y	재 질	비 고 Remarks
DRAWN	CHECKED	CHECKED	APPROVED	SCALE : 1/1	MODEL :
				UNIT : MM	TITLE :
			SIZE : A3	MODEL No.	
			DATE :	DWG No.	

A

B

C

D