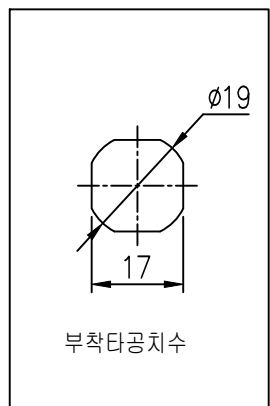
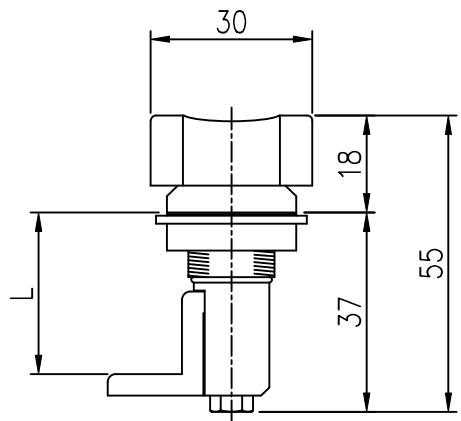
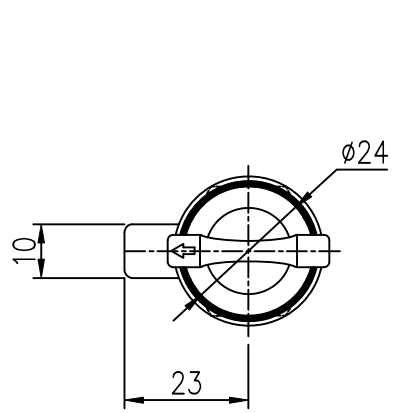


적용 도면 (Applied DRAW. No.)	
도면 번호 (DRAW. No.)	비고 (Remarks)
1	
2	

MARK	DATE	DETAIL OF REVISION	CHECK	APP.
△				
△				



제품명	L	벤딩 높이
KCL-12-25-1MO	27.6	25
KCL-12-27-1MO	29.6	27
KCL-12-30-1MO	32.6	30

GENERAL TOLERANCE

DIVISON	GRADE	A LEVEL	B LEVEL	C LEVEL
1-4		±0.05	±0.10	±0.25
4-6		±0.07	±0.20	±0.35
16-63		±0.10	±0.30	±0.50
63-250		±0.18	±0.55	±0.90
250-500		±0.30	±0.90	±1.50
500-1000		±0.50	±1.50	±2.50

부품번 Part No.	번호 No.	명칭 Part Name	갯수 Qt'y	재질	비고 Remarks
DRAWN	CHECKED	CHECKED	APPROVED	SCALE : 1/1	MODEL :
				UNIT : MM	TITLE :
<b>광일엔지니어링</b> <b>KWANGIL ENGINEERING</b>			SIZE : A3	THIRD ANGLE PROJECTION	MODEL No.
			DATE :	DWG No.	