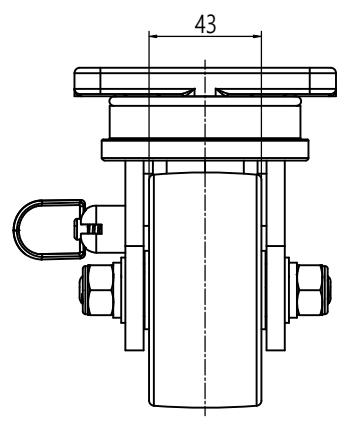
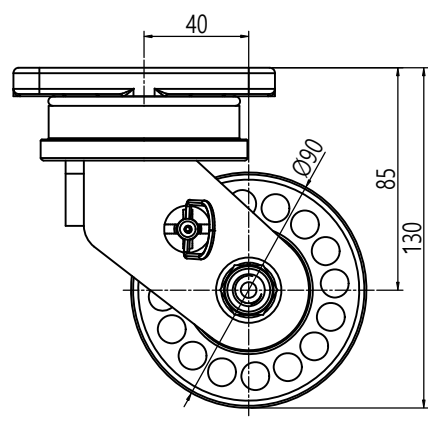
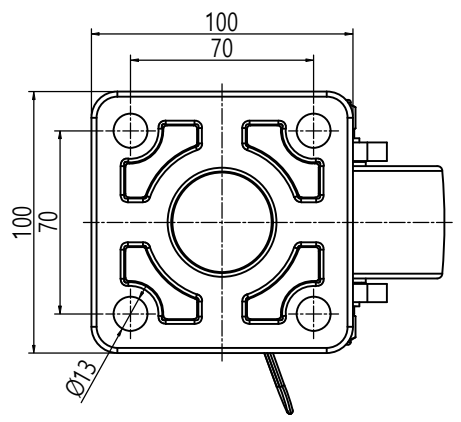


제출 번호 (Applied DWG. No.)	
1	제출 번호 (DWG. No.)
2	비고 (Remarks)

MARK	DATE	DETAIL OF REVISION	CHECK	APP.
▲				



GENERAL TOLERANCE

DWG. NO.	GRADE	A LEVEL	B LEVEL	C LEVEL
1-4	±0.05	±0.10	±0.20	±0.30
4-8	±0.07	±0.20	±0.30	±0.50
16-63	±0.10	±0.30	±0.50	±1.00
63-250	±0.15	±0.50	±1.00	±2.00
250-500	±0.20	±0.80	±1.50	±3.00
500-1000	±0.30	±1.50	±2.50	±5.00

부품 번호 (Part No.)	번호 (No.)	명칭 (Part Name)	수량 (Q'ty)	재질 (Material)	비고 (Remarks)

SCALE: 1/1	MODEL:
TITLE:	MODEL No.:
DATE: / /	DWG No.:

