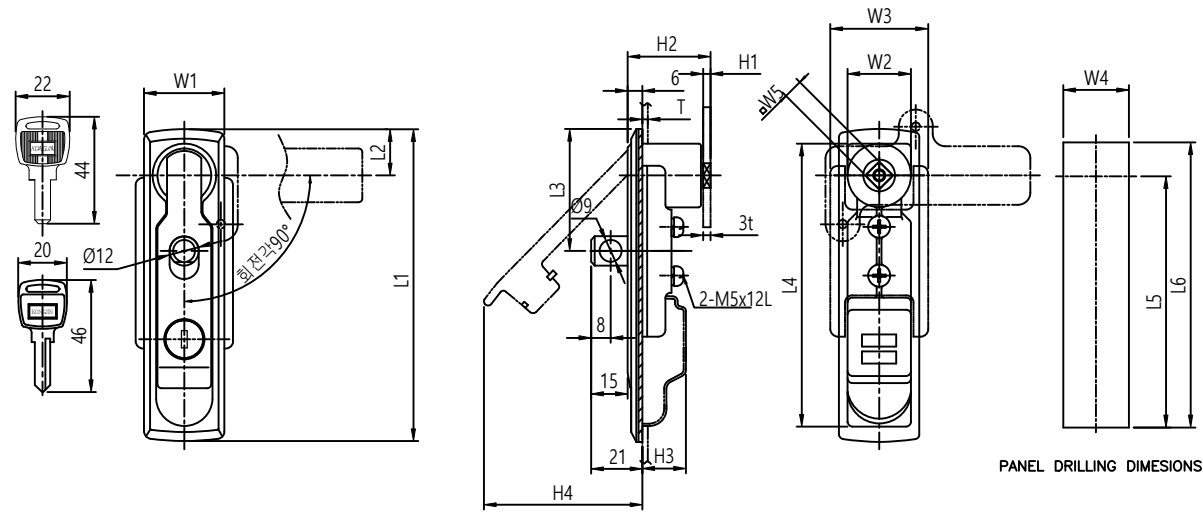


작성 단위 (Applied OMM No.)	
도면 번호 (OMM No.)	비고 (Remarks)

MARK	DATE	DETAIL OF REVISION	CHECK	APP.
△				



PANEL DRILLING DIMENSIONS.

제품명	L1	L2	L3	L4	L5	L6	H1	H2	H3	H4	W1	W2	W3	W4	W5	Net weight(g)
KBH-HF-88W-2KB	128	19	50	116	102	117	3	34	18	65	33	26	40	27	8	324
KBH-HF-88W-2KC	128	19	50	116	102	117	3	34	18	65	33	26	40	27	8	324
KBH-HF-88W-3KB	153	22	73	140	125	141	6	40	20	84	38	29	47	30	10	480
KBH-HF-88W-3KC	153	22	73	140	125	141	6	40	20	84	38	29	47	30	10	480

GENERAL TOLERANCE				부품명	번호	영칭	숫자	재질	비고
GRADE	A LEVEL	B LEVEL	C LEVEL	Part No.	No.	Part Name	Qt'y		Remarks
1-4	±0.05	±0.10	±0.20	DRWN	DESIGN	DECEID	APPROVED	DATE	MODEL
4-6	±0.07	±0.20	±0.30						
16-43	±0.10	±0.30	±0.50						
63-250	±0.18	±0.55	±1.00						
250-500	±0.30	±0.90	±1.50						
500-1000	±0.50	±1.50	±2.50						

광원엔지니어링 KWANGL ENGINEERING