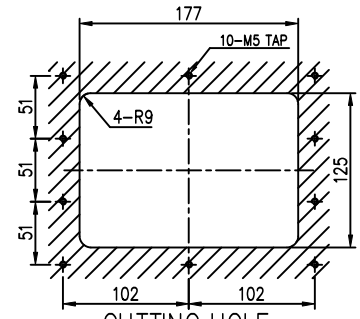
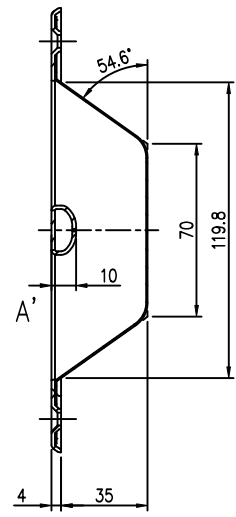
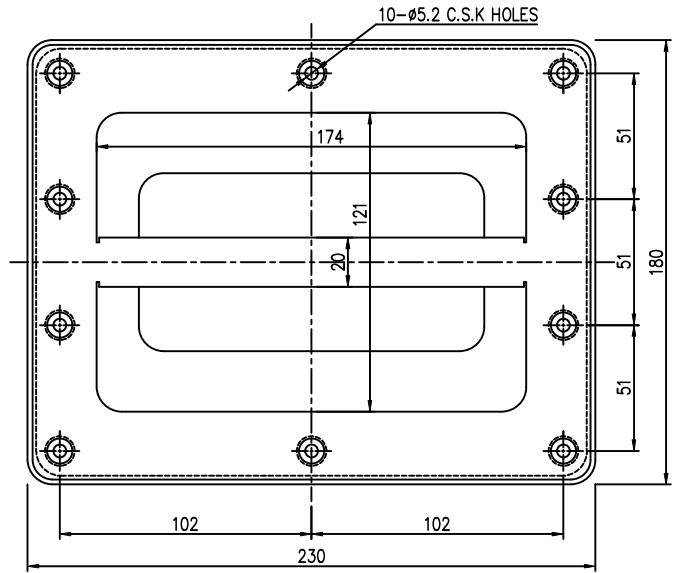
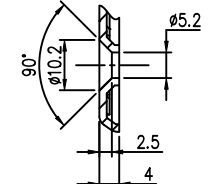


MARK	DATE	DETAIL OF REVISION	CHECK	APP.

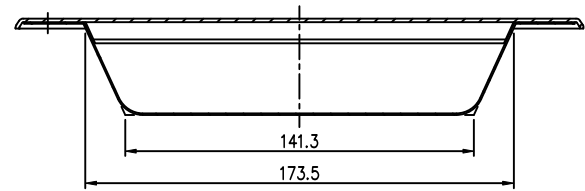
작업 승인 (Approved DWM. No.)	검열 승인 (Inspected DWM. No.)



CUTTING HOLE  
(SCALE 1:2)



C.S.K DETAIL  
(SCALE 2:1)



GENERAL TOLERANCE				부품번호				명칭				수량		재질		비고	
단위	公差	公差	公差	Part No.	No.	Part Name	SCALE	Model	Material	Remarks							
1-4	±0.07	±0.10	±0.15				2:1										
4-6	±0.07	±0.20	±0.25														
16-63	±0.10	±0.30	±0.50														
63-250	±0.15	±0.55	±1.00														
250-500	±0.30	±0.90	±1.50														
500-1000	±0.50	±1.50	±2.50														

