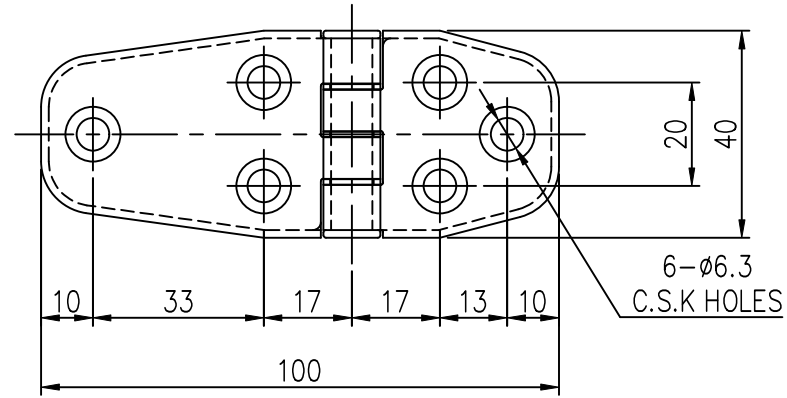
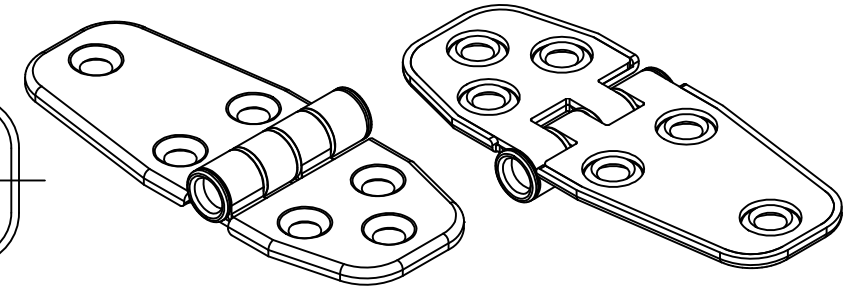
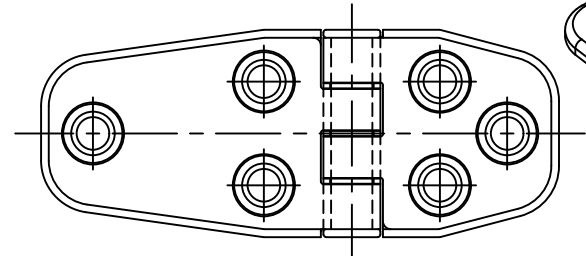
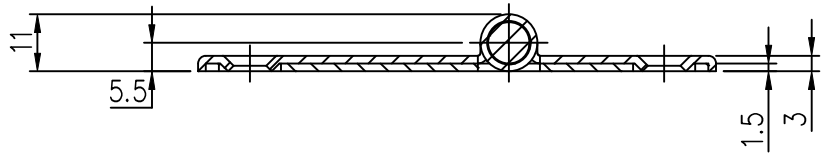


적용 도면 (Applied DRAW. No.)		MARK		DATE	DETAIL OF REVISION	CHECK	APP.
도면 번호 (DRAW. No.)	비고 (Remarks)	△					
1		△					
2							



KHS-40100



GENERAL TOLERANCE

DIVISION	GRADE	A LEVEL	B LEVEL	C LEVEL
1-4	±0.05	±0.10	±0.25	
4-6	±0.07	±0.20	±0.35	
16-63	±0.10	±0.30	±0.50	
63-250	±0.18	±0.55	±0.90	
250-500	±0.30	±0.90	±1.50	
500-1000	±0.50	±1.50	±2.50	

부품번호 Part No.	번호 No.	명칭 Part Name	갯수 Qt'y	재질	비고 Remarks
DRAWN	CHECKED	CHECKED	APPROVED	SCALE : 1/1	MODEL :
				UNIT : MM	TITLE :
			SIZE : A3	THIRD ANGLE PROJECTION	MODEL No.
DATE :				DWG No.	