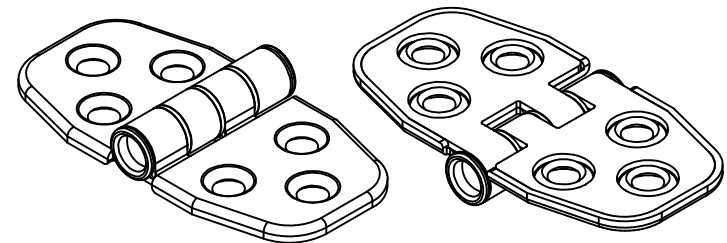
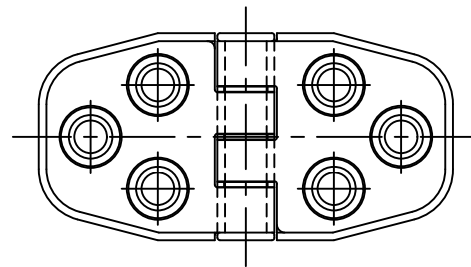
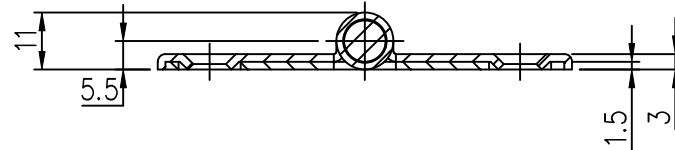
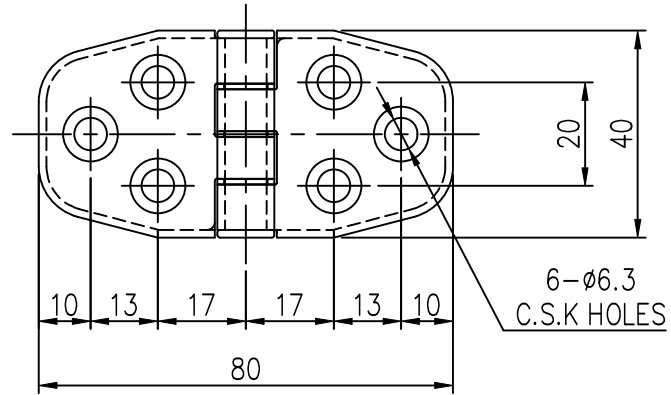


적용 도면 (Applied DRAW. No.)	
도면 번호 (DRAW. No.)	비고 (Remarks)
1	
2	

MARK	DATE	DETAIL OF REVISION	CHECK	APP.
△				
△				

# KHS-4080



### GENERAL TOLERANCE

DIVISION	GRADE	A LEVEL	B LEVEL	C LEVEL
1-4	<del>±0.05</del>	<del>±0.10</del>	<del>±0.25</del>	
4-6	<del>±0.07</del>	<del>±0.20</del>	<del>±0.35</del>	
16-63	<del>±0.10</del>	<del>±0.30</del>	<del>±0.50</del>	
63-250	<del>±0.18</del>	<del>±0.55</del>	<del>±0.90</del>	
250-500	<del>±0.30</del>	<del>±0.90</del>	<del>±1.50</del>	
500-1000	<del>±0.50</del>	<del>±1.50</del>	<del>±2.50</del>	

부품번호 Part No.		번호 No.	명칭 Part Name		갯수 Qt'y	재질	비고 Remarks
DRAWN	CHECKED	CHECKED	APPROVED	SCALE: 1/1	MODEL:		
				UNIT: MM	TITLE:		
				SIZE: A3	MODEL No.		
				DATE:	DWG No.		