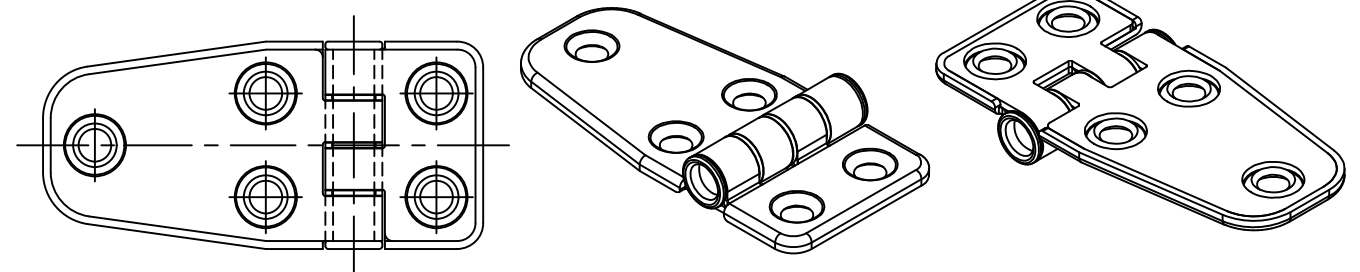
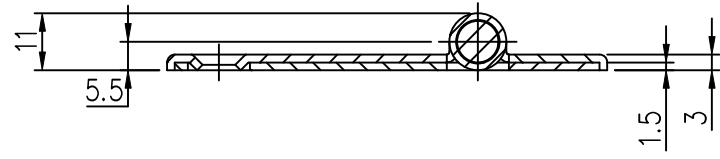
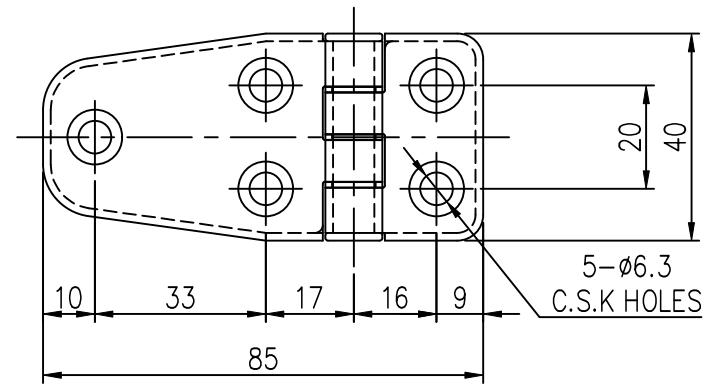


적용 도면 (Applied DRAW. No.)		MARK		DATE	DETAIL OF REVISION	CHECK	APP.
도면 번호 (DRAW. No.)	비고 (Remarks)	△					
1		△					
2							

# KHS-4085



GENERAL TOLERANCE

DIVISION	GRADE	A LEVEL	B LEVEL	C LEVEL
1-4	<del>±0.05</del>	<del>±0.10</del>	<del>±0.25</del>	
4-6	<del>±0.07</del>	<del>±0.20</del>	<del>±0.35</del>	
16-63	<del>±0.10</del>	<del>±0.30</del>	<del>±0.50</del>	
63-250	<del>±0.18</del>	<del>±0.55</del>	<del>±0.90</del>	
250-500	<del>±0.30</del>	<del>±0.90</del>	<del>±1.50</del>	
500-1000	<del>±0.50</del>	<del>±1.50</del>	<del>±2.50</del>	

부품번호 Part No.	번호 No.	명칭 Part Name	갯수 Qt'y	재질	비고 Remarks
DRAWN	CHECKED	CHECKED	APPROVED	SCALE: 1/1	MODEL:
				UNIT: MM	TITLE:
			SIZE: A3	THIRD ANGLE PROJECTION	MODEL No.
			DATE:		DWG No.