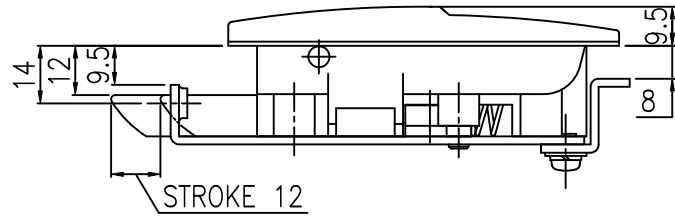
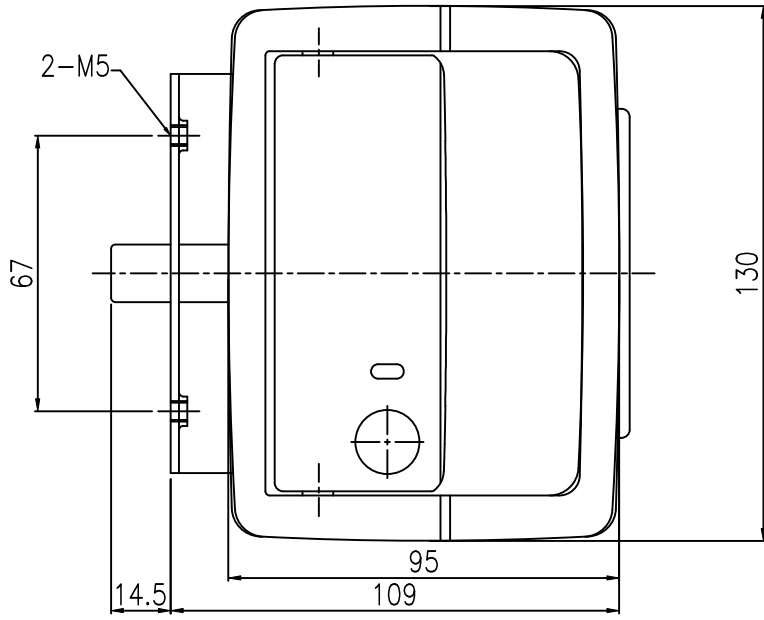



작성 일자 (Asst. of DWG. No.)	작성 (Designer)
작성 번호 (DWG. No.)	

MARK	DATE	DETAIL OF REVISION	CHECK	APP.
△				



GENERAL TOLERANCE

SIZE	A LEVEL	B LEVEL	C LEVEL
1-4	±0.07	±0.10	±0.15
4-6	±0.07	±0.10	±0.15
16-63	±0.10	±0.15	±0.20
63-250	±0.15	±0.20	±0.30
250-500	±0.20	±0.30	±0.40
500-1000	±0.30	±0.40	±0.50

부품번 Part No.	번호 No.	명칭 Part Name	수량 Q't'y	재질 Material	비고 Remarks
DRAWN	CHECKED	CHECKED	APPROVED	SCALE	DATE
				1/1	
			TITLE	MODEL No.	
			SIZE	BOOK No.	
			A1		
			DATE		DWG No.