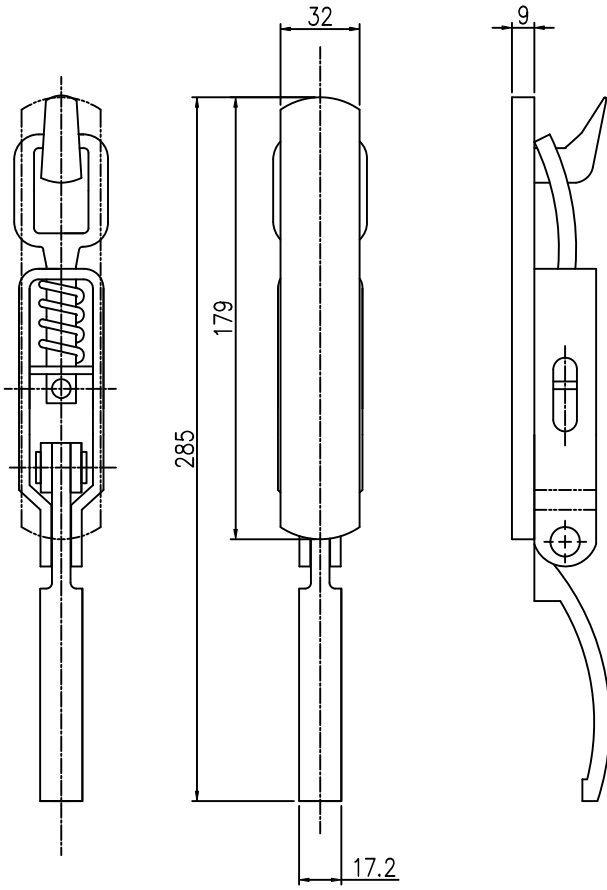


작성 일자 (Applied Date)	작성 (Applied)
작성 번호 (Date No.)	작성 (Number)

MARK	DATE	DETAIL OF REVISION	CHECK	APP.
△				



GENERAL TOLERANCE

수량	A LEVEL	B LEVEL	C LEVEL
1~4	±0.07	±0.10	±0.20
4~6	±0.07	±0.20	±0.25
16~63	±0.10	±0.30	±0.50
63~250	±0.15	±0.55	±0.80
250~500	±0.30	±0.80	±1.50
500~1000	±0.50	±1.50	±2.50

부품번호	번호	명칭	수량	재질	비고
Part No.	No.	Part Name	Q'ty	Material	Remarks
DRAWN	CHECKED	CHECKED	APPROVED	SCALE	SCALE
				1/1	
			UNIT	TITLE	
			MM		
			SIZE	BOOK No.	
			A1		
			DATE	DWG No.	