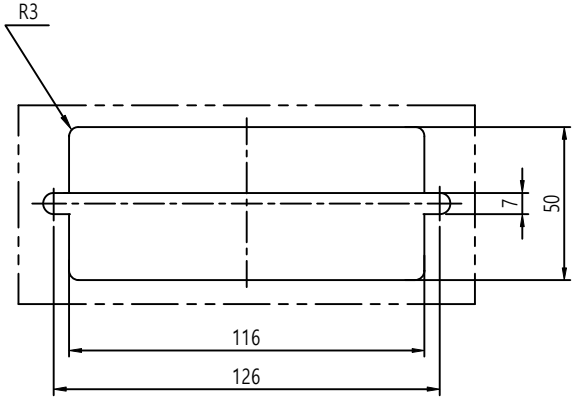
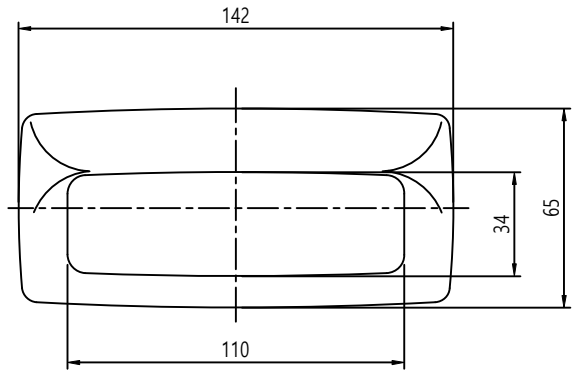
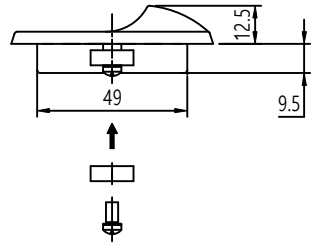
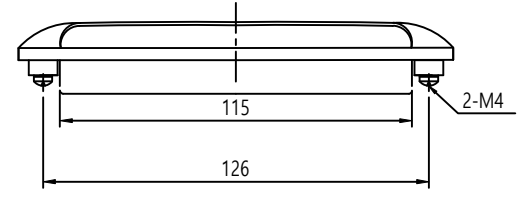


작성 순서 (Applied Order No.)		DATE		DETAIL OF REVISION		CHECK		APP	
작성 번호 (Order No.)	비고 (Remarks)								



PANEL DRILLING DIMENSIONS.



GENERAL TOLERANCE

GRADE	A LEVEL	B LEVEL	C LEVEL
1-4	±0.05	±0.10	±0.20
4-6	±0.07	±0.20	±0.30
6-13	±0.10	±0.30	±0.50
13-250	±0.15	±0.55	±1.00
250-500	±0.20	±0.80	±1.50
500-1000	±0.50	±1.50	±2.50

부품 번호 (Part No.)	번호 (No.)	명칭 (Part Name)	갯수 (Qty)	재질 (Material)	비고 (Remarks)
DATE		TITLE		MODEL No.	

