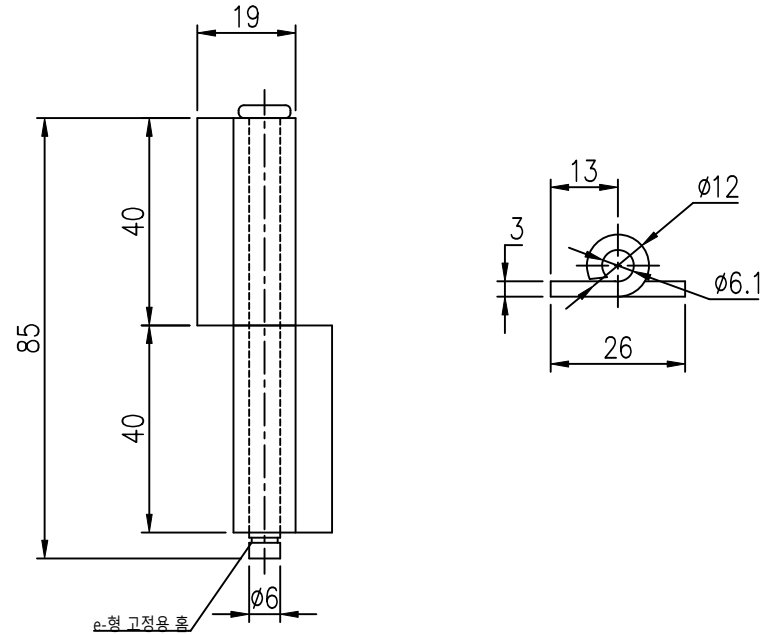


적용 도면 (Applied DRAW. No.)		MARK		DATE	DETAIL OF REVISION		CHECK	APP.
도면 번호 (DRAW. No.)	비고 (Remarks)	△						
1		△						
2								

KHBS-806E



GENERAL TOLERANCE

DIVISION	GRADE	A LEVEL	B LEVEL	C LEVEL
1-4	±0.05	±0.10	±0.25	±0.75
4-6	±0.07	±0.20	±0.35	±0.90
16-63	±0.10	±0.30	±0.50	±1.50
63-250	±0.18	±0.55	±0.90	±2.50
250-500	±0.30	±0.90	±1.50	
500-1000	±0.50	±1.50	±2.50	

부품 번호 Part No.		번호 No.	명칭 Part Name		갯수 Qt'y	재질	비고 Remarks
DRAWN	CHECKED	CHECKED	APPROVED	SCALE : 1 / 1	MODEL :		
				UNIT : MM	TITLE :		
				SIZE : A3	MODEL No.		
				DATE :	DWG No.		

