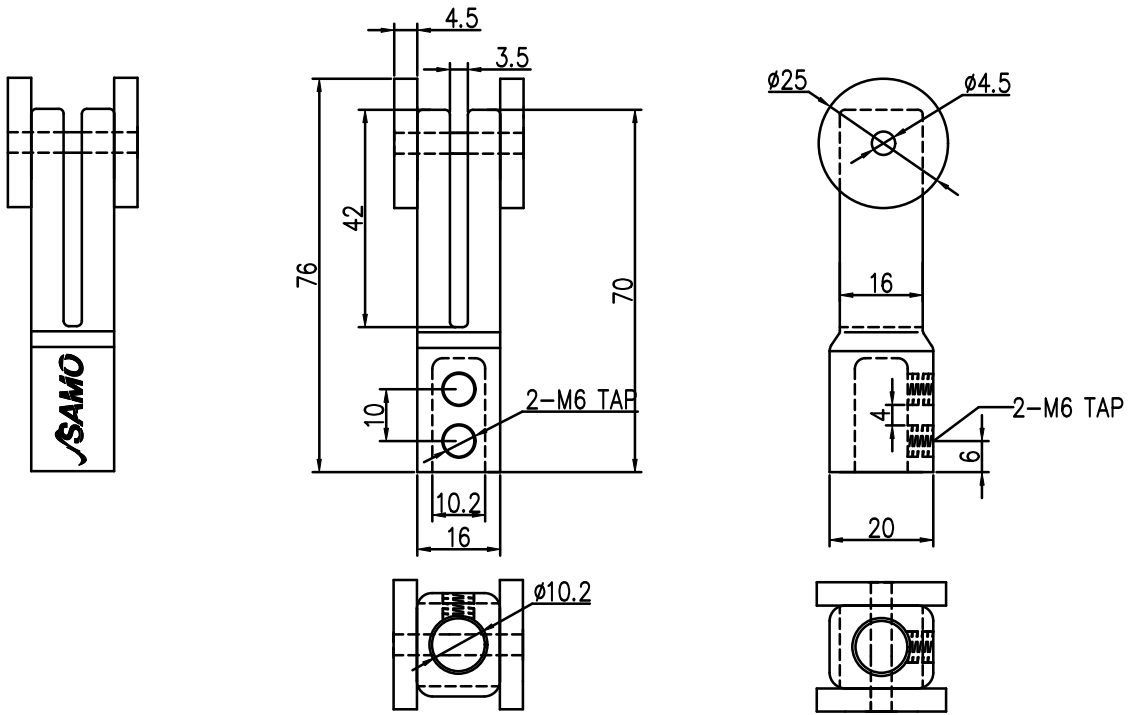



적용 도면 (Applied DRAW. No.)		MARK		DATE	DETAIL OF REVISION	CHECK	APP.
도면 번호 (DRAW. No.)	비고 (Remarks)	△					
1		△					
2							



GENERAL TOLERANCE

DIVISION	GRADE	A LEVEL	B LEVEL	C LEVEL
1-4		$\pm 0.05$	$\pm 0.10$	$\pm 0.25$
4-6		$\pm 0.07$	$\pm 0.20$	$\pm 0.35$
16-63		$\pm 0.10$	$\pm 0.30$	$\pm 0.50$
63-250		$\pm 0.18$	$\pm 0.55$	$\pm 0.90$
250-500		$\pm 0.30$	$\pm 0.90$	$\pm 1.50$
500-1000		$\pm 0.50$	$\pm 1.50$	$\pm 2.50$

부품 번호 Part No.	번호 No.	명칭 Part Name	갯수 Qt'y	재질	비고 Remarks
DRAWN	CHECKED	CHECKED	APPROVED	SCALE: 1/1	MODEL:
				UNIT: MM	TITLE:
 <b>광일엔지니어링</b> <b>KWANGIL ENGINEERING</b>			SIZE: A3	THIRD ANGLE PROJECTION	MODEL No.
DATE :				DWG No.	