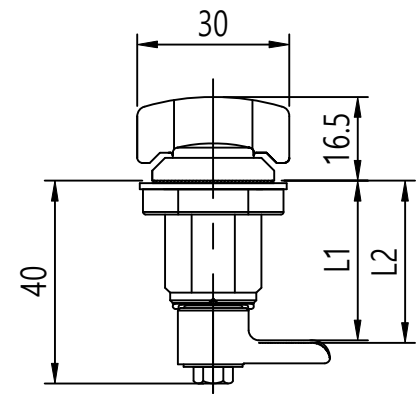
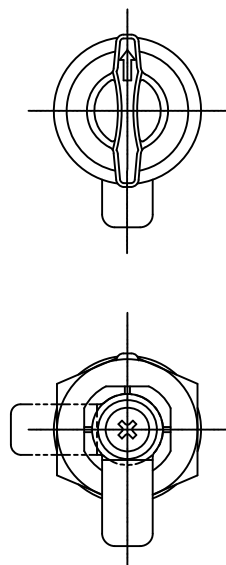
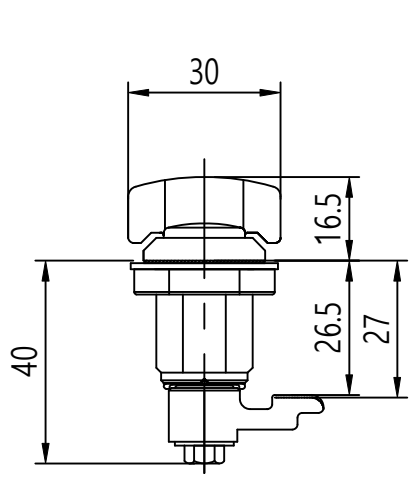


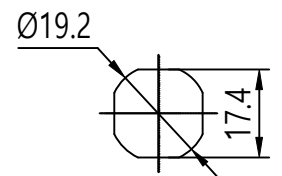
제출 도면 (Applied DWG. No.)	
도면 번호 (DWG. No.)	제 3 (Rev.1/2)

MARK	DATE	DETAIL OF REVISION	CHECK	APP.
▲				



KCL-KC-109(25mm)

	L1	L2	Net weight(g)
KCL-KC-109(25mm)	26.5	27	77
KCL-KC-109(27mm)	28.5	29	76.5
KCL-KC-109(30mm)	31.5	32	75.5
KCL-KC-109(35mm)	35.5	36	81.5



PANEL DRILLING DIMENSIONS.

GENERAL TOLERANCE

SIZE	LEVEL	LEVEL	LEVEL	LEVEL
1~4	±0.07	±0.10	±0.15	±0.20
4~6	±0.07	±0.20	±0.30	±0.40
16~43	±0.10	±0.30	±0.50	±0.80
63~250	±0.15	±0.55	±1.00	±1.50
250~500	±0.30	±0.90	±1.50	±2.50
500~1000	±0.50	±1.50	±2.50	±4.00

부품번 Part No.	번호 No.	명칭 Part Name	갯수 Q't'y	재질 Material	비고 Remarks
DRAWN	CHECKED	CHECKED	APPROVED	SCALE	MODEL
				UNIT	TYPE
				FILE A1	MODEL No.
	DATE				DWG No.

