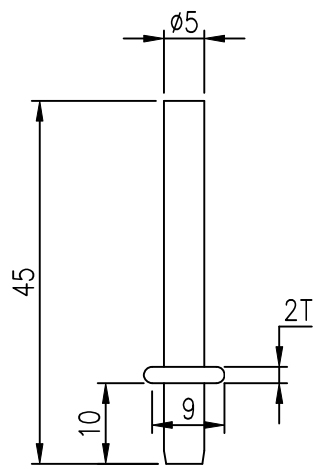


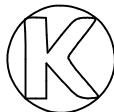
A		B		C		
적용 도면 (Applied DRAW. No.)		MARK	DATE	DETAIL OF REVISION	CHECK	APP.
	도면 번호 (DRAW. No.)	비 고 (Remarks)	△			
1			△			
2						

# KHSB-5-3



### GENERAL TOLERANCE

DIVISION	GRADE	A LEVEL	B LEVEL	C LEVEL
1-4	<del>±0.05</del>	<del>±0.10</del>	<del>±0.25</del>	<del>±0.25</del>
4-6	<del>±0.07</del>	<del>±0.20</del>	<del>±0.35</del>	<del>±0.35</del>
16-63	<del>±0.10</del>	<del>±0.30</del>	<del>±0.50</del>	<del>±0.50</del>
63-250	<del>±0.18</del>	<del>±0.55</del>	<del>±0.90</del>	<del>±0.90</del>
250-500	<del>±0.30</del>	<del>±0.90</del>	<del>±1.50</del>	<del>±1.50</del>
500-1000	<del>±0.50</del>	<del>±1.50</del>	<del>±2.50</del>	<del>±2.50</del>

부 품 번 Part No.	번호 No.	명 칭 Part Name	갯수 Qt'y	재 질	비 고 Remarks
DRAWN	CHECKED	CHECKED	APPROVED	SCALE : 1/1	MODEL :
				UNIT : MM	TITLE :
 <b>광일엔지니어링</b> <b>KWANGIL ENGINEERING</b>			SIZE : A4	THIRD ANGLE PROJECTION	MODEL No.
			DATE :		DWG No.

A

B

C