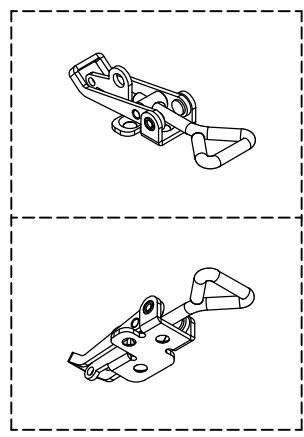
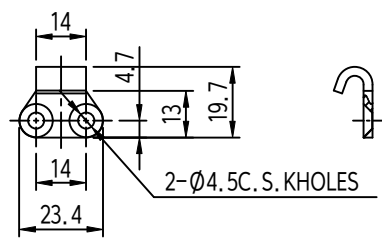
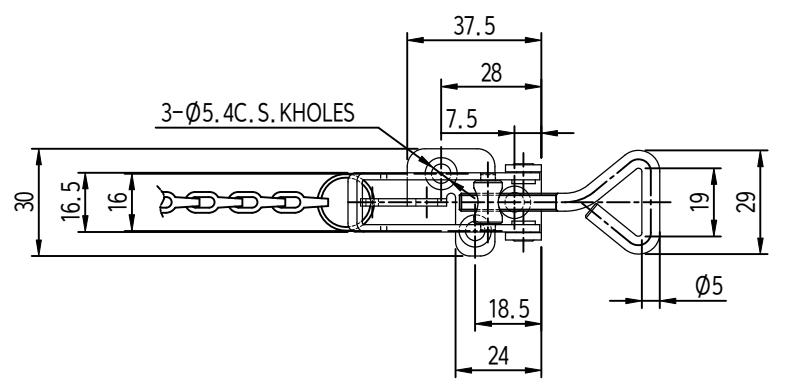
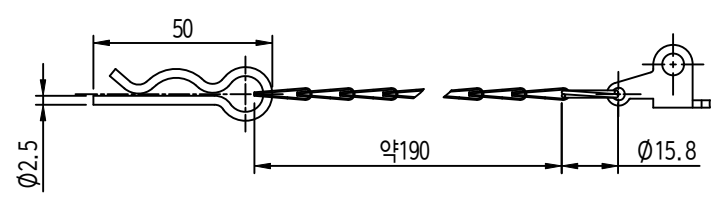
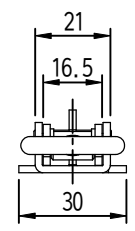
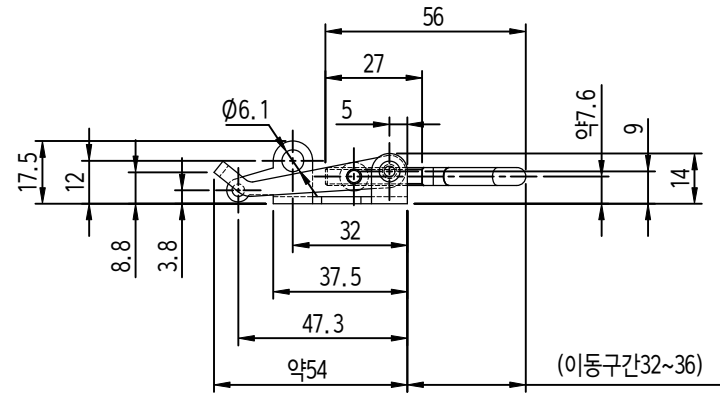


적용 도면 (Applied DRAW. No.)	
1	도면 번호 (DRAW. No.)
2	비고 (Remarks)

MARK	DATE	DETAIL OF REVISION	CHECK	APP.
▲				



ISOMETRICVIEW



GENERAL TOLERANCE				부품번호	번호	명칭	갯수	재질	비고	
FINISH	GRADE	A LEVEL	B LEVEL	C LEVEL	Part No.	No.	Part Name	Qt'y	Material	Remarks
1-4		±0.05	±0.10	±0.20						
4-16		±0.07	±0.20	±0.35						
16-63		±0.10	±0.30	±0.50						
63-250		±0.18	±0.55	±0.90						
250-500		±0.30	±0.90	±1.50						
500-1000		±0.50	±1.50	±2.50						

DRAWN	CHECKED	CHECKED	APPROVED	SCALE: 1/1	MODEL:
UNIT:				TITLE:	
SIZE: A2				DATE:	MODEL No.
DWG No.					

