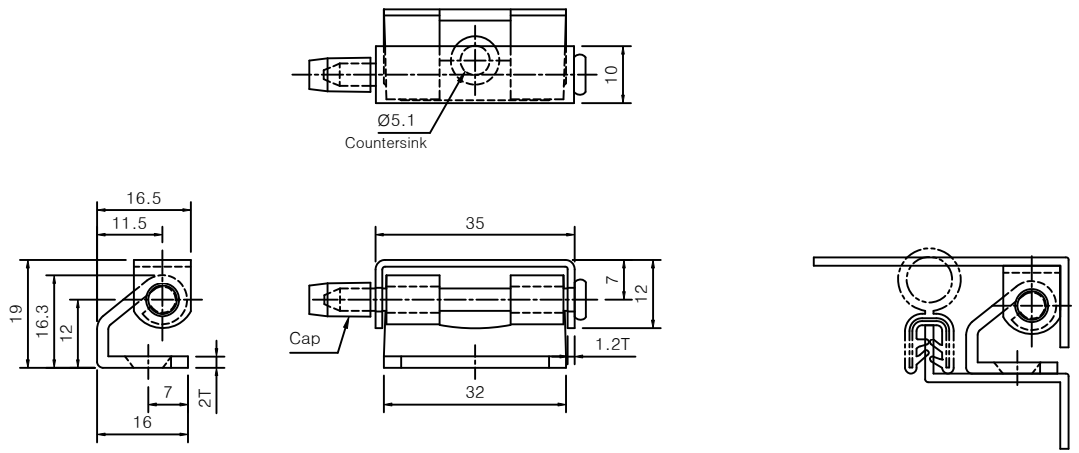


적용 도면 (Applied DRAW. No.)		MARK		DATE	DETAIL OF REVISION		D	
도면 번호 (DRAW. No.)	비 고 (Remarks)	△					CHECK	APP.
1		△						
2								

KHABS-1257



GENERAL TOLERANCE

DIVISION	GRADE	A LEVEL	B LEVEL	C LEVEL
1-4	±0.05	±0.10	±0.25	
4-6	±0.07	±0.20	±0.35	
16-63	±0.10	±0.30	±0.50	
63-250	±0.18	±0.55	±0.90	
250-500	±0.30	±0.90	±1.50	
500-1000	±0.50	±1.50	±2.50	

부 품 번 Part No.	번호 No.	명 칭 Part Name		갯수 Qt'y	재 질	비 고 Remarks
DRAWN	CHECKED	CHECKED	APPROVED	SCALE : 1/1	MODEL :	
				UNIT : MM	TITLE :	
				SIZE : A3	MODEL No.	
				DATE :	DWG No.	