

2

3

4

2

3

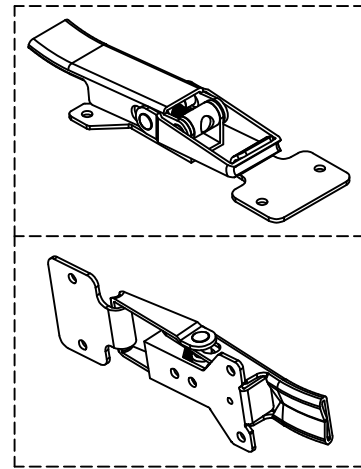
4

A B C D E F

A B C D E F

특용 도면 (Applied DRAW. No.)	
도면 번호 (DRAW. No.)	비고 (Remarks)
1	
2	

MARK	DATE	DETAIL OF REVISION	CHECK	APP.
▲				



ISOMETRIC VIEW

부품번호	번호	명칭	갯수	재질	비고
Part No.	No.	Part Name	Qt'y	Material	Remarks
DRAWN	CHECKED	CHECKED	APPROVED	SCALE: 1/1	MODEL:
				UNIT: MM	TITLE:
				SIZE: A2	MODEL No.:
				DATE:	DWG No.:

