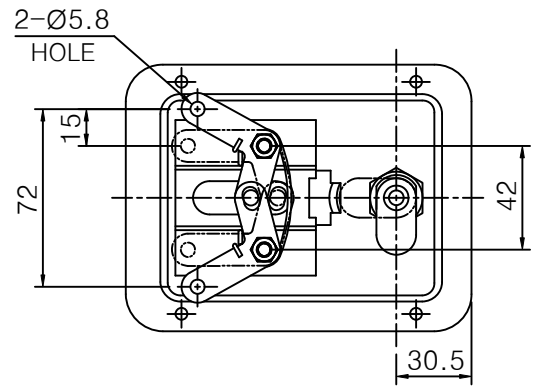
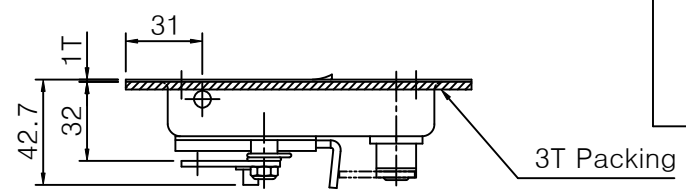
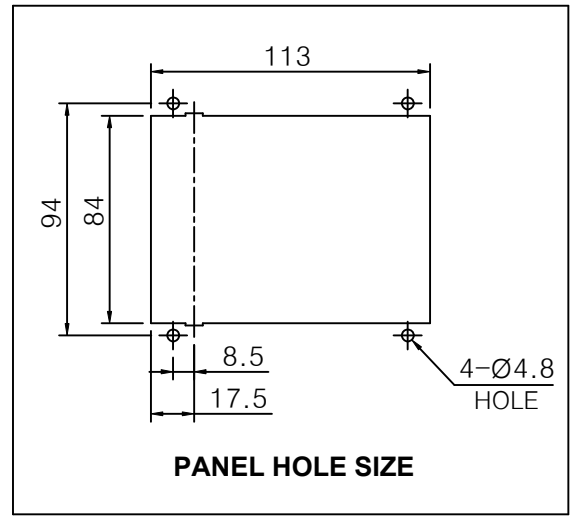
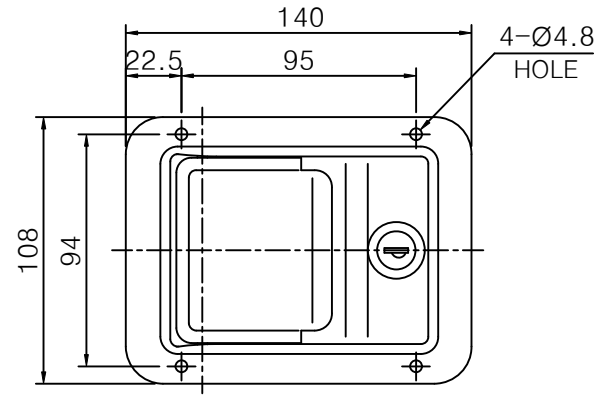


작성 일자 (App'ed Date, No.)	작성 (Designer)
작성 번호 (Draw. No.)	작성 (Designer)

MARK	DATE	DETAIL OF REVISION	CHECK	APP.
△				



구분	公差	A LEVEL	B LEVEL	C LEVEL
1-4	±0.07	±0.10	±0.20	±0.30
4-6	±0.07	±0.20	±0.30	±0.50
6-13	±0.10	±0.30	±0.50	±0.80
13-250	±0.15	±0.55	±1.00	±1.50
250-500	±0.30	±0.80	±1.50	±2.50
500-1000	±0.50	±1.50	±2.50	±4.00

부품번호	번호	명칭	수량	재질	비고
Part No.	No.	Part Name	Q't'y	Material	Remarks
작성	CHECKED	CHECKED	APPROVED	SCALE	1/1
DATE				UNIT	MM
			TITLE	MODEL No. DRAW. No.	
DATE :			SCALE	1/1	